

TEST REPORT

Product Name : CM3576 system-on-module

Model Number : CM3576

Prepared for : BOARDCON EMBEDDED DESIGN LIMITED
Address : 2508-2509 Haofang Tianji Plaza, 11008 Beihuan Avenue,
Nanshan District, Shenzhen, Guangdong, China. 518051

Prepared by : EMTEK (SHENZHEN) CO., LTD.
Address : Building 69, Majialong Industry Zone, Nanshan District,
Shenzhen, Guangdong, China

Tel: (0755) 26954280
Fax: (0755) 26954282

Report Number : ENS2502130182E00101R
Date(s) of Tests : February 18, 2025 to February 26, 2025
Date of issue : February 26, 2025




TABLE OF CONTENT

Description	Page
1. DESCRIPTION OF STANDARDS AND RESULTS (EUT)	6
2. GENERAL INFORMATION	7
2.1. Description of Device (EUT)	7
2.2. Independent Operation Modes	7
2.3. Test Manner	8
2.4. Description of Support Device	8
2.5. Description of Test Facility	9
2.6. Measurement Uncertainty	9
3. MEASURING DEVICE AND TEST EQUIPMENT	10
3.1. For Conducted Emissions at the AC Mains Power Ports	10
3.2. For Asymmetric Mode Conducted Emissions at Wired Network Ports	10
3.3. For Radiated Emission Measurement (3m)	10
3.4. For Harmonic Current / Flicker Measurement	10
3.5. For Electrostatic Discharge Immunity	10
3.6. For Continuous RF Electromagnetic Field Disturbances Immunity	11
3.7. For Electrical Fast Transient / Burst Immunity	11
3.8. For Surges Immunity	11
3.9. For Continuous Induced RF Disturbances Immunity	12
3.10. For Power Frequency Magnetic Field Immunity	12
3.11. For Voltage Dips And Interruptions Immunity	12
4. CONDUCTED EMISSIONS FROM THE AC MAINS POWER PORTS	13
4.1. Block Diagram of Test Setup	13
4.2. Limits	13
4.3. Test Procedure	13
4.4. Measuring Results	14
5. ASYMMETRIC MODE CONDUCTED EMISSIONS AT WIRED NETWORK PORTS	17
5.1. Block Diagram of Test Setup	17
5.2. Limits	17
5.3. Test Procedure	17
5.4. Measuring Results	18
6. RADIATED EMISSION MEASUREMENT (UP TO 1GHZ)	20
6.1. Block Diagram of Test Setup	20
6.2. Radiated Limit	20
6.3. Test Procedure	20
6.4. Measuring Results	21
7. RADIATED EMISSION MEASUREMENT (ABOVE 1GHZ)	24
7.1. Block Diagram of Test Setup	24
7.2. Radiated Limit	24
7.3. Test Procedure	25
7.4. Measuring Results	25
8. HARMONIC CURRENT EMISSION MEASUREMENT	28
8.1. Block Diagram of Test Setup	28
8.2. Standard Limits	28
8.3. Test Procedure	29
8.4. Test Results	29
9. VOLTAGE FLUCTUATION AND FLICKER MEASUREMENT	30
9.1. Block Diagram of Test Setup	30
9.2. Standard Limits	30
9.3. Test Procedure	30

9.4. Test Results	30
10. IMMUNITY GENERAL PERFORMANCE CRITERIA DESCRIPTION	32
11. ELECTROSTATIC DISCHARGE	33
11.1. Test Specification	33
11.2. Block Diagram of Test Setup	33
11.3. Test Procedure	33
11.4. Test Results	34
12. CONTINUOUS RF ELECTROMAGNETIC FIELD DISTURBANCES	35
12.1. Test Specification	35
12.2. Block Diagram of Test Setup	35
12.3. Test procedure	35
12.4. Test results	36
13. ELECTRICAL FAST TRANSIENTS/BURST	37
13.1. Test Specification	37
13.2. Block Diagram of Test Setup	37
13.3. Test Procedure	38
13.4. Test Results	38
14. SURGES	39
14.1. Test Specification	39
14.2. Block Diagram of Test Setup	39
14.3. Test Procedure	39
14.4. Test results	40
15. CONTINUOUS INDUCED RF DISTURBANCES	41
15.1. Test Specification	41
15.2. Block Diagram of Test Setup	41
15.3. Test Procedure	41
15.4. Test results	42
16. POWER FREQUENCY MAGNETIC FIELD	43
16.1. Test Specification	43
16.2. Block Diagram of Test Setup	43
16.3. Test Procedure	43
16.4. Test Results	44
17. VOLTAGE DIPS AND INTERRUPTIONS	45
17.1. Test Specification	45
17.2. Block Diagram of Test Setup	45
17.3. Test Procedure	45
17.4. Test results	46
18. PHOTOGRAPHS	47
18.1. Photos of Conducted Emissions from the AC Mains Power Ports	47
18.2. Photos of Asymmetric Mode Conducted Emissions at Wired Network Ports	48
18.3. Photos of Radiation Emission Measurement	49
18.4. Photo of Harmonic / Flicker Measurement	50
18.5. Photo of Electrostatic Discharges	50
18.6. Photo of Continuous RF Electromagnetic Field Disturbances	51
18.7. Photos of Electrical Fast Transients/Burst	52
18.8. Photos of Surges	53
18.9. Photos of Continuous Induced RF Disturbances	54
18.10. Photo of Power Frequency Magnetic Field	55
18.11. Photo of Voltage Dips And Interruptions	55

APPENDIX (Photos of the EUT) (1 pages)

TEST REPORT DESCRIPTION

Applicant : BOARDCON EMBEDDED DESIGN LIMITED
 Manufacturer : BOARDCON EMBEDDED DESIGN LIMITED
 Trade Mark : 
 EUT : CM3576 system-on-module
 Model Number : CM3576
 Rating : DC 12V from adapter

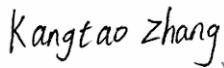
Measurement Procedure Used:

EN 55032:2015+A1:2020
 EN IEC 61000-3-2:2019+A2:2024
 EN 61000-3-3:2013+A2:2021
 EN 55035:2017+A11:2020
 (IEC 61000-4-2:2008, IEC 61000-4-3:2006+A1:2007+A2:2010, IEC 61000-4-4:2012,
 IEC 61000-4-5:2014, IEC 61000-4-6:2013, IEC 61000-4-8:2009, IEC 61000-4-11:2004)

The device described above is tested by EMTEK (SHENZHEN) CO., LTD. to determine the maximum emission levels emanating from the device and the severe levels of the device can endure and its performance criterion. The measurement results are contained in this test report and EMTEK (SHENZHEN) CO., LTD. is assumed full of responsibility for the accuracy and completeness of these measurements. Also, this report shows that the EUT (Equipment Under Test) is technically compliant with the EN 55032, EN IEC 61000-3-2, EN 61000-3-3, EN 55035 requirements.

This report applies to above tested sample only and shall not be reproduced in part without written approval of EMTEK (SHENZHEN) CO., LTD.

Date of Test : February 18, 2025 to February 26, 2025

Prepared by : 
Kangtao Zhang/Editor

Reviewer : 
Joe Xia/Supervisor

Approved & Authorized Signer : 
Lisa Wang/Manager



Modified Information

Version	Report No.	Revision Date	Summary
Ver.1.0	ENS2502130182E00101R	/	Original Report



1. DESCRIPTION OF STANDARDS AND RESULTS (EUT)

EMISSION				
Description of Test Item		Standard	Limits	Results
Conducted Emissions From the AC Mains Power Ports		EN 55032	Class B	Pass
Asymmetric mode conducted emissions	Wired network ports		Class B	Pass
	Optical fibre ports		Class B	N/A
	Broadcast receiver tuner ports		Class B	N/A
	Antenna ports		Class B	N/A
Conducted differential voltage emissions	TV broadcast receiver tuner ports		Class B	N/A
	RF modulator output ports		Class B	N/A
	FM broadcast receiver tuner ports		Class B	N/A
Radiated emissions at frequencies up to 1 GHz			Class B	Pass
Radiated emissions at frequencies above 1 GHz			Class B	Pass
Radiated emissions from FM receivers			Table A.6	N/A
Outdoor units of home satellite receiving systems			Table A.7	N/A
Harmonic Current Emissions			EN IEC 61000-3-2	Class A
Voltage Fluctuation and Flicker		EN 61000-3-3	Section 5	Pass
IMMUNITY				
Description of Test Item		Basic Standard	Performance Criteria	Results
Electrostatic Discharge	Enclosure ports	IEC 61000-4-2:2008	B	Pass
Continuous RF electromagnetic field disturbances	Enclosure ports	IEC 61000-4-3:2006+A1:2007+A2:2010	A	Pass
Electrical fast transients/burst	AC mains power ports	IEC 61000-4-4:2012	B	Pass
	Analogue/digital data ports		B	Pass
	DC network power ports		N/A	N/A
Surges	AC mains power ports	IEC 61000-4-5:2014	B	Pass
	Analogue/digital data ports		C	Pass
	DC network power ports		N/A	N/A
Continuous induced RF disturbances	AC mains power ports	IEC 61000-4-6:2013	A	Pass
	Analogue/digital data ports		A	Pass
	DC network power ports		N/A	N/A
Power frequency magnetic field	Enclosure ports	IEC 61000-4-8:2009	A	Pass
Voltage dips and interruptions	AC mains power ports	IEC 61000-4-11:2004	B,C	Pass
Note: N/A is an abbreviation for Not Applicable.				

2. GENERAL INFORMATION

2.1. Description of Device (EUT)

EUT : CM3576 system-on-module

Model Number : CM3576

Sample ID : ENS2502130182E001/1-1

Test Voltage : DC 12V from adapter

Applicant : BOARDCON EMBEDDED DESIGN LIMITED

Address : 2508-2509 Haofang Tianji Plaza, 11008 Beihuan Avenue, Nanshan District, Shenzhen, Guangdong, China. 518051

Manufacturer : BOARDCON EMBEDDED DESIGN LIMITED

Address : 2508-2509 Haofang Tianji Plaza, 11008 Beihuan Avenue, Nanshan District, Shenzhen, Guangdong, China. 518051

Date of Received : February 18, 2025

Date of Test : February 18, 2025 to February 26, 2025

2.2. Independent Operation Modes

- A. On
1. Running full system

2.3. Test Manner

Test Items	Test Voltage	Operation Modes	Worst case
Conducted disturbance at mains Terminals	DC 12V from adapter	Mode A	Mode A.1
Asymmetric mode conducted emissions at Wired network ports	DC 12V from adapter	Mode A	Mode A.1
Radiated emissions at frequencies up to 1 GHz	DC 12V from adapter	Mode A	Mode A.1
Radiated emissions at frequencies above 1 GHz	DC 12V from adapter	Mode A	Mode A.1
Harmonic Current Emissions	DC 12V from adapter	Mode A	\
Voltage Fluctuation and Flicker	DC 12V from adapter	Mode A	\
Electrostatic Discharge	DC 12V from adapter	Mode A	\
Continuous RF electromagnetic field disturbances	DC 12V from adapter	Mode A	\
Electrical fast transients/burst	DC 12V from adapter	Mode A	\
Surges	DC 12V from adapter	Mode A	\
Continuous induced RF disturbances	DC 12V from adapter	Mode A	\
Power frequency magnetic field	DC 12V from adapter	Mode A	\
Voltage dips and interruptions	DC 12V from adapter	Mode A	\

2.4. Description of Support Device

Adapter : Manufacturer: CHANNEL WELL TECHNOLOGY CO., LTD.
M/N: KPH-040012
S/N: /

LCD Monitor : Manufacturer: LENOVO
M/N: 9227-AE6
S/N:4M0293084302824
CE, FCC

Mouse : Manufacturer: Lenovo
M/N:MO28UOL
S/N:44D2639
CE, FCC

Laptop : Manufacturer: Lenovo
M/N: ThinkBook 14 G2ITL
S/N: MPIWCL72
CE, FCC: DOC

2.5. Description of Test Facility

Site Description

EMC Lab.

: **Accredited by CNAS**

The Certificate Registration Number is L2291.

The Laboratory has been assessed and proved to be in compliance with CNAS-CL01 (identical to ISO/IEC 17025:2017)

Accredited by FCC

Designation Number: CN1204

Test Firm Registration Number: 882943

Accredited by A2LA

The Certificate Number is 4321.01.

Accredited by Industry Canada

The Conformity Assessment Body Identifier is CN0008

Name of Firm : EMTEK (SHENZHEN) CO., LTD.

Site Location : Building 69, Majialong Industry Zone, Nanshan District, Shenzhen, Guangdong, China

2.6. Measurement Uncertainty

Test Item	Uncertainty
Conducted Emission Uncertainty (Conduction 1#)	: 1.56dB (9k~150kHz Conduction) 1.42dB (150k~30MHz Conduction)
Radiated Emission Uncertainty (3m 1# Chamber)	: 3.92dB (30M~1GHz Polarize: H) 4.54dB (30M~1GHz Polarize: V) 4.98dB (1~6GHz)
Uncertainty for Flicker test	: 0.514%
Uncertainty for Harmonic test	: 4.04%
Uncertainty for C/S Test	: 0.94dB(Using CDN Test) 2.37dB(Using EM Clamp Test)
Uncertainty for R/S Test	: 1.53dB(80MHz-3000MHz)
Uncertainty for test site temperature and humidity	: 0.6°C 4%

3. MEASURING DEVICE AND TEST EQUIPMENT

3.1. For Conducted Emissions at the AC Mains Power Ports

Used	Equipment	Manufacturer	Model No.	Serial No.	Last Cal.	Cal. Interval
<input checked="" type="checkbox"/>	EMI Test Receiver	Rohde & Schwarz	ESCI	101384	May 11, 2024	1 Year
<input checked="" type="checkbox"/>	AMN	Rohde & Schwarz	ENV216	101161	May 10, 2024	1 Year
<input checked="" type="checkbox"/>	AMN	Kyoritsu	KNW-407	8-1492-9	May 11, 2024	1 Year

3.2. For Asymmetric Mode Conducted Emissions at Wired Network Ports

Used	Equipment	Manufacturer	Model No.	Serial No.	Last Cal.	Cal. Interval
<input checked="" type="checkbox"/>	EMI Test Receiver	Rohde & Schwarz	ESCI	101384	May 11, 2024	1 Year
<input checked="" type="checkbox"/>	AAN	TESEQ	ISN T800	30327	Nov. 01, 2024	1 Year
<input checked="" type="checkbox"/>	AAN	TESEQ	ISN T8-CAT6	32186	May 12, 2024	1 Year

3.3. For Radiated Emission Measurement (3m)

Used	Equipment	Manufacturer	Model No.	Serial No.	Last Cal.	Cal. Interval
<input checked="" type="checkbox"/>	EMI Test Receiver	Rohde & Schwarz	ESCI	101414	May 11, 2024	1 Year
<input checked="" type="checkbox"/>	Pre-Amplifier	HP	8447F	2944A07999	May 11, 2024	1 Year
<input checked="" type="checkbox"/>	Bilog Antenna	Schwarzbeck	VULB9163	141	June 15, 2024	2 Year
<input checked="" type="checkbox"/>	Spectrum Analyzer	Rohde & Schwarz	FSV40	100967	May 10, 2024	1 Year
<input checked="" type="checkbox"/>	Horn antenna	Schwarzbeck	BBHA9120D	9120D-1177	May 12, 2023	2 Year
<input checked="" type="checkbox"/>	Pre-Amplifie	Bonn	BLMA0118-5G	2213967B-02	Oct. 18, 2024	1 Year

3.4. For Harmonic Current / Flicker Measurement

Used	Equipment	Manufacturer	Model No.	Serial No.	Last Cal.	Cal. Interval
<input checked="" type="checkbox"/>	45KVA AC Power source	Teseq	NSG 1007-45/45KV A	1305A02873	May 11, 2024	1 Year
<input checked="" type="checkbox"/>	Signal conditioning Unit	Teseq	CCN 1000-3	1305A02873	May 11, 2024	1 Year
<input checked="" type="checkbox"/>	Impedance network	Teseq	INA2197/37A	1305A02873	May 11, 2024	1 Year
<input checked="" type="checkbox"/>	Impedance network	Teseq	INA 2196/75A	1305A02874	May 11, 2024	1 Year
<input type="checkbox"/>	Proflin 2100 AC Switching Unit	Teseq	NSG 2200-3	A22714	May 11, 2024	1 Year

3.5. For Electrostatic Discharge Immunity

Used	Equipment	Manufacturer	Model No.	Serial No.	Last Cal.	Cal. Interval
<input checked="" type="checkbox"/>	ESD Tester	EMTEST	Dito	P2220263883	Oct. 21, 2024	1 Year

3.6. For Continuous RF Electromagnetic Field Disturbances Immunity

Used	Equipment	Manufacturer	Model No.	Serial No.	Last Cal.	Cal. Interval
<input checked="" type="checkbox"/>	Power Amplifier	MILMEGA	AS0102-55	1018770	May 11, 2024	1 Year
<input checked="" type="checkbox"/>	RF Power Meter. Dual Channel	BOONTON	4232A	10539	May 11, 2024	1 Year
<input checked="" type="checkbox"/>	Log.-Per. Antenna	SCHWARZBECK	STLP 9129-7/16	3050	N/A	N/A
<input checked="" type="checkbox"/>	Signal Generator	Agilent	N5181A	MY50145187	May 11, 2024	1 Year
<input checked="" type="checkbox"/>	50ohm Diode Power Sensor	BOONTON	51011EMC	36164	May 11, 2024	1 Year
<input checked="" type="checkbox"/>	Field Strength Meter	DARE	RSS1006A	10I00037SNO 22	May 20, 2024	1 Year
<input checked="" type="checkbox"/>	Multi-function interface system	DARE	CTR1009B	12I00250SNO 72	N/A	N/A
<input checked="" type="checkbox"/>	Automatic switch group	DARE	RSW1004A	N/A	N/A	N/A
<input checked="" type="checkbox"/>	Power Amplifier	MILMEGA	AS1860-50	1059346	May 11, 2024	1 Year
<input checked="" type="checkbox"/>	Power Amplifier	Vectawave	VBA 1000-600C	133627	Oct. 18, 2024	1 Year
<input checked="" type="checkbox"/>	Directional Coupler	BONN	BDC 0810-50/1500	2229689	Oct. 18, 2024	1 Year

3.7. For Electrical Fast Transient / Burst Immunity

Used	Equipment	Manufacturer	Model No.	Serial No.	Last Cal.	Cal. Interval
<input checked="" type="checkbox"/>	Burst Tester	Partner	IMU-MGS	109938-1635	Oct. 18, 2024	1 Year
<input checked="" type="checkbox"/>	Coupling Clamp	HAEFELY	IP-4A	147147	May 12, 2024	1 Year

3.8. For Surges Immunity

Used	Equipment	Manufacturer	Model No.	Serial No.	Last Cal.	Cal. Interval
<input checked="" type="checkbox"/>	Controller	HAEFELY	Psurge 8000	174031	May 11, 2024	1 Year
<input checked="" type="checkbox"/>	Impulse Module	HAEFELY	PIM 100	174124	May 11, 2024	1 Year
<input checked="" type="checkbox"/>	Coupling Decoupling	HAEFELY	PCD 130	172181	May 11, 2024	1 Year
<input checked="" type="checkbox"/>	Coupling Module	HAEFELY	PCD122	174354	May 11, 2024	1 Year
<input checked="" type="checkbox"/>	Impulse Module	HAEFELY	PIM 120	174435	May 11, 2024	1 Year
<input checked="" type="checkbox"/>	Coupling Module	HAEFELY	PCD 126A	174387	May 11, 2024	1 Year
<input checked="" type="checkbox"/>	Impulse Module	HAEFELY	PIM 110	174391	May 11, 2024	1 Year
<input checked="" type="checkbox"/>	Impulse Module	HAEFELY	PIM 150	178707	May 12, 2024	1 Year
<input checked="" type="checkbox"/>	Impulse Module	PMI	PCDN8	190422	May 12, 2024	1 Year

3.9. For Continuous Induced RF Disturbances Immunity

Used	Equipment	Manufacturer	Model No.	Serial No.	Last Cal.	Cal. Interval
<input checked="" type="checkbox"/>	Continuous Wave Simulator	EMTEST	CWS500C	0900-12	May 10, 2024	1 Year
<input checked="" type="checkbox"/>	CDN	EMTEST	CDN-M3	0900-11	May 11, 2024	1 Year
<input checked="" type="checkbox"/>	EM Injection Clamp	EMTEST	F-2031-23MM	368	May 12, 2024	1 Year
<input checked="" type="checkbox"/>	Attenuator	EMTEST	100W 6dB DC-3G	/	May 10, 2024	1 Year
<input checked="" type="checkbox"/>	Signal Generator	R&S	SMB100A	103041	May 10, 2024	1 Year
<input checked="" type="checkbox"/>	Power meter	AGILENT	E4418B	MY45102886	May 10, 2024	1 Year
<input checked="" type="checkbox"/>	Directional coupler	SKET	DC_0110000 M-100W	SK2018080301	May 10, 2024	1 Year

3.10. For Power Frequency Magnetic Field Immunity

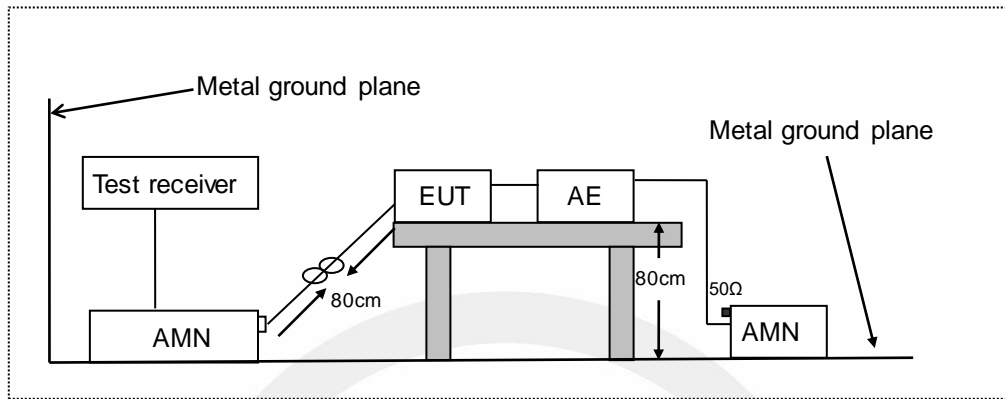
Used	Equipment	Manufacturer	Model No.	Serial No.	Last Cal.	Cal. Interval
<input checked="" type="checkbox"/>	Magnetic Field Tester	HAEFELY	MAG100	250040.1	May 10, 2024	1 Year

3.11. For Voltage Dips And Interruptions Immunity

Used	Equipment	Manufacturer	Model No.	Serial No.	Last Cal.	Cal. Interval
<input checked="" type="checkbox"/>	45KVA AC Power source	Teseq	NSG 1007-45/45KV A	1305A02873	May 11, 2024	1 Year
<input type="checkbox"/>	Signal conditioning Unit	Teseq	CCN 1000-3	1305A02873	May 11, 2024	1 Year
<input type="checkbox"/>	Impedance network	Teseq	INA2197/37A	1305A02873	May 11, 2024	1 Year
<input type="checkbox"/>	Impedance network	Teseq	INA 2196/75A	1305A02874	May 11, 2024	1 Year
<input checked="" type="checkbox"/>	Proflin 2100 AC Switching Unit	Teseq	NSG 2200-3	A22714	May 11, 2024	1 Year

4. CONDUCTED EMISSIONS FROM THE AC MAINS POWER PORTS

4.1. Block Diagram of Test Setup



AMN: Artificial Mains Network
 AE: Associated equipment
 EUT: Equipment under test

4.2. Limits

EN 55032, Class B

Frequency range MHz	Coupling device	Detector type / bandwidth	Class B limits dB(μV)
0.15 to 0.5	AMN	Quasi Peak / 9 kHz	66 to 56
0.5 to 5			56
5 to 30			60
0.15 to 0.5	AMN	Average / 9 kHz	56 to 46
0.5 to 5			46
5 to 30			50

4.3. Test Procedure

The EUT was placed on a desk 0.8 m height from the metal ground plane and 0.4 m from the conducting wall of the shielding room and it was kept at least 0.8 m from any other grounded conducting surface. The size of the table will nominally be 1.5 m x1.0 m.

The rear of the arrangement shall be flush with the back of the supporting tabletop unless that would not be possible or typical of normal use.

All units of equipment forming the system under test (includes the EUT as well as connected peripherals and associated equipment or devices) shall be arranged such that a nominal 0.1 m separation is achieved between the neighboring units.

Connect EUT to the power mains through a artificial mains network (AMN). Where the mains cable supplied by the manufacturer is longer than 1 m, the excess should be folded at the centre into a bundle no longer than 0.4 m, so that its length is shortened to 1 m.

All the support units are connecting to the other AMN.

The AMN provides 50 ohm coupling impedance for the measuring instrument.

The CISPR states that the AMN with 50 ohm and 50 microhenry should be used.

Both sides of AC line were checked for maximum conducted interference.

The frequency range from 150 kHz to 30 MHz was sweep.

Set the test-receiver system to quasi peak detect function and average detect function, and to measure the conducted emissions values.

Test results were obtained from the following equation:

Emission Level (dB μ V) = AMN Factor (dB) + Cable Loss (dB) + Reading (dB μ V)

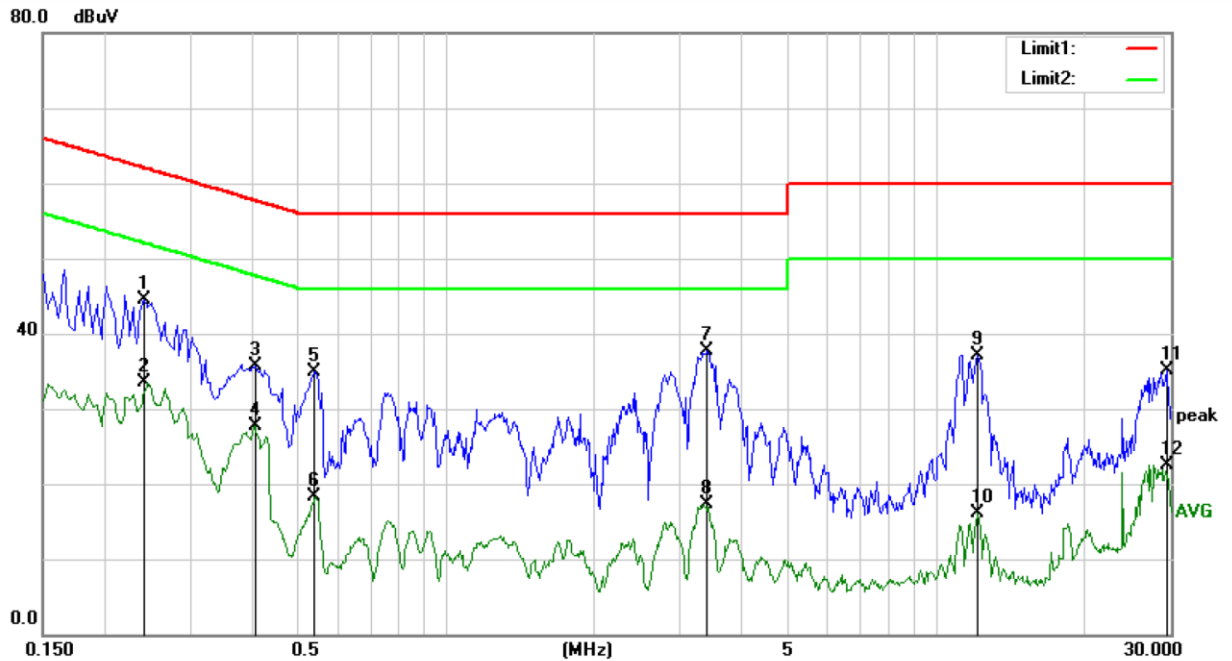
Margin (dB) = Emission Level (dB μ V) - Limit (dB μ V)

4.4. Measuring Results

PASS.

Please reference to the following pages.

Temperature	:	23.9°C
Humidity	:	45%
Atmospheric Pressure	:	101kpa
Test Engineer	:	Shuo Tian
Test Date	:	2025-02-21



Site Conduction #1

Phase: **L1**

Temperature: 23.9

Limit: (CE)EN55032 class B_QP

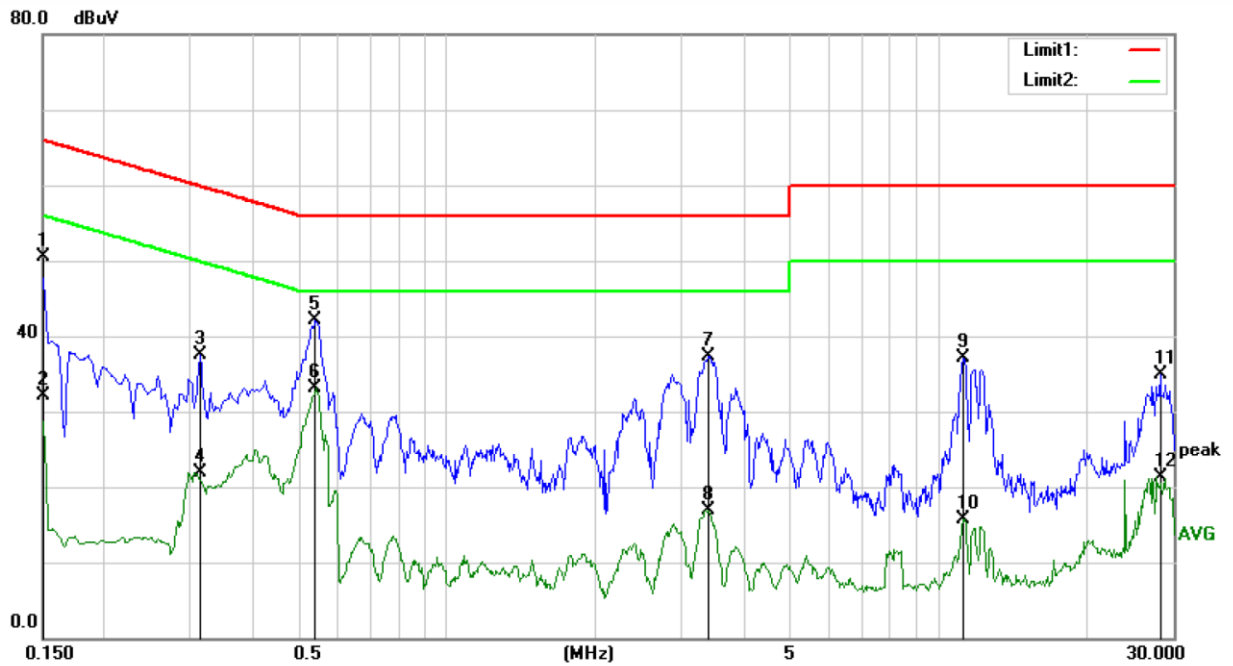
Power: DC 12V from adapter

Humidity: 45 %

Mode: Running full system

Note:

No.	Mk.	Freq. MHz	Reading Level dBuV	Correct Factor dB	Measure- ment dBuV	Limit dBuV	Over dB	Detector	Comment
1	*	0.2420	24.19	20.22	44.41	62.03	-17.62	QP	
2		0.2420	13.28	20.22	33.50	52.03	-18.53	AVG	
3		0.4100	15.52	20.16	35.68	57.65	-21.97	QP	
4		0.4100	7.59	20.16	27.75	47.65	-19.90	AVG	
5		0.5380	14.69	20.17	34.86	56.00	-21.14	QP	
6		0.5380	-1.93	20.17	18.24	46.00	-27.76	AVG	
7		3.4060	17.61	20.09	37.70	56.00	-18.30	QP	
8		3.4060	-2.88	20.09	17.21	46.00	-28.79	AVG	
9		12.1540	16.85	20.28	37.13	60.00	-22.87	QP	
10		12.1540	-4.24	20.28	16.04	50.00	-33.96	AVG	
11		29.4220	14.34	20.79	35.13	60.00	-24.87	QP	
12		29.4220	1.80	20.79	22.59	50.00	-27.41	AVG	



Site Conduction #1

Phase: **N**

Temperature: 23.9

Limit: (CE)EN55032 class B_QP

Power: DC 12V from adapter

Humidity: 45 %

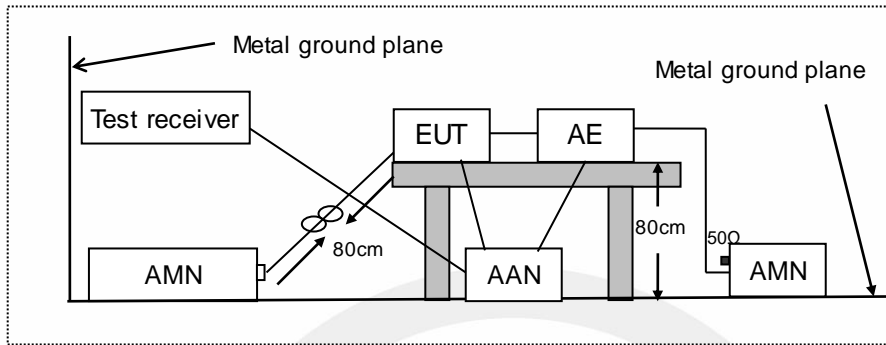
Mode: Running full system

Note:

No.	Mk.	Freq. MHz	Reading Level dBuV	Correct Factor dB	Measure- ment dBuV	Limit dBuV	Over dB	Detector	Comment
1		0.1500	30.19	20.28	50.47	66.00	-15.53	QP	
2		0.1500	11.87	20.28	32.15	56.00	-23.85	AVG	
3		0.3140	17.22	20.34	37.56	59.86	-22.30	QP	
4		0.3140	1.51	20.34	21.85	49.86	-28.01	AVG	
5		0.5380	21.91	20.19	42.10	56.00	-13.90	QP	
6	*	0.5380	12.94	20.19	33.13	46.00	-12.87	AVG	
7		3.3980	17.33	20.02	37.35	56.00	-18.65	QP	
8		3.3980	-3.05	20.02	16.97	46.00	-29.03	AVG	
9		11.2540	16.99	20.16	37.15	60.00	-22.85	QP	
10		11.2540	-4.48	20.16	15.68	50.00	-34.32	AVG	
11		28.2060	14.37	20.44	34.81	60.00	-25.19	QP	
12		28.2060	0.86	20.44	21.30	50.00	-28.70	AVG	

5. ASYMMETRIC MODE CONDUCTED EMISSIONS AT WIRED NETWORK PORTS

5.1. Block Diagram of Test Setup



AMN: Artificial mains network
 AE: Associated equipment
 EUT: Equipment under test
 AAN: Asymmetric artificial network

5.2. Limits

EN 55032, Class B,

Frequency range (MHz)	Coupling device	Detector type / bandwidth	Class B voltage limits dB(μV)	Class B current limits dB(μA)
0.15 to 0.5	AAN	Quasi Peak / 9 kHz	84 to 74	N/A
0.5 to 30			74	
0.15 to 0.5	AAN	Average / 9 kHz	74 to 64	
0.5 to 30			64	
0.15 to 0.5	CVP and current probe	Quasi Peak / 9 kHz	84 to 74	40 to 30
0.5 to 30			74	30
0.15 to 0.5	CVP and current probe	Average / 9 kHz	74 to 64	30 to 20
0.5 to 30			64	20
0.15 to 0.5	Current Probe	Quasi Peak / 9 kHz	N/A	40 to 30
0.5 to 30				30
0.15 to 0.5	Current Probe	Average / 9 kHz		30 to 20
0.5 to 30				20

5.3. Test Procedure

The EUT is put on the plane 0.8m high above the ground by insulating support and connected to the AC mains through artificial mains network(AMN) or connected to the wired network port through an asymmetric artificial network(ANN). AMN provided a 50ohm coupling impedance for the tested equipment AC mains port, ANN provided a common mode (asymmetric mode) impedance of 150 Ω to the wired network port under test. Both sides of AC line and the wired network line are investigated to

find out the maximum conducted emission according to the EN 55032 regulations during conducted emission measurement.

The bandwidth of the receiver is set at 9kHz in 150kHz~30MHz. The frequency range from 150kHz to 30MHz is investigated.

Test results were obtained from the following equation:

Emission Level (dB μ V) = ANN Factor (dB) + Cable Loss (dB) + Reading (dB μ V)

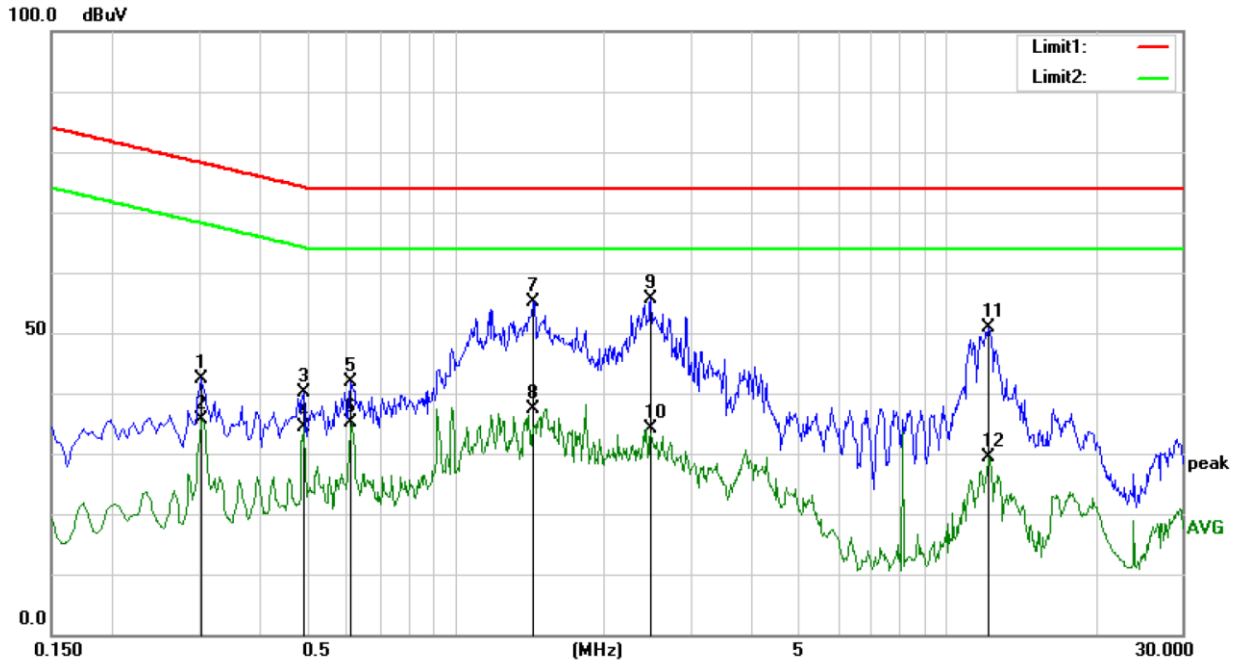
Margin (dB) = Emission Level (dB μ V) - Limit (dB μ V)

5.4. Measuring Results

PASS.

Please reference to the following pages.

Temperature	:	23.9°C
Humidity	:	45%
Atmospheric Pressure	:	101kpa
Test Engineer	:	Shuo Tian
Test Date	:	2025-02-21

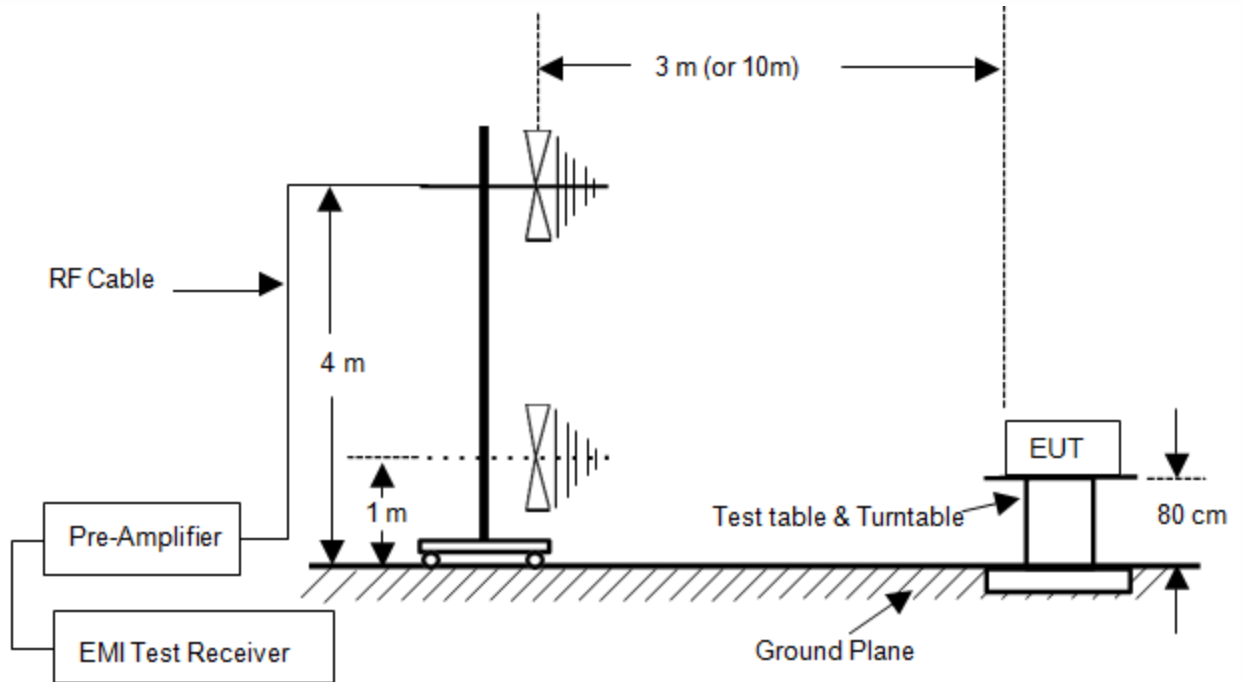


Site Conduction #1 Phase: Temperature: 23.9
 Limit: (CE)EN55032 class B TELECOM_QP Power: DC 12V from adapter Humidity: 45 %
 Mode: Running full system
 Note:

No.	Mk.	Freq. MHz	Reading Level dBuV	Correct Factor dB	Measure- ment dBuV	Limit dBuV	Over dB	Detector	Comment
1		0.3020	32.11	10.33	42.44	78.19	-35.75	QP	
2		0.3020	25.29	10.33	35.62	68.19	-32.57	AVG	
3		0.4900	29.81	10.26	40.07	74.17	-34.10	QP	
4		0.4900	24.22	10.26	34.48	64.17	-29.69	AVG	
5		0.6100	31.61	10.23	41.84	74.00	-32.16	QP	
6		0.6100	24.84	10.23	35.07	64.00	-28.93	AVG	
7		1.4340	45.02	10.12	55.14	74.00	-18.86	QP	
8		1.4340	27.20	10.12	37.32	64.00	-26.68	AVG	
9	*	2.4900	45.57	10.08	55.65	74.00	-18.35	QP	
10		2.4900	24.14	10.08	34.22	64.00	-29.78	AVG	
11		12.1140	40.69	10.14	50.83	74.00	-23.17	QP	
12		12.1140	19.12	10.14	29.26	64.00	-34.74	AVG	

6. RADIATED EMISSION MEASUREMENT (UP TO 1GHz)

6.1. Block Diagram of Test Setup



6.2. Radiated Limit

EN 55032, Class B

Frequency range MHz	Measurement			Class B limits dB(μ V/m)
	Facility	Distance (m)	Detector type / bandwidth	
30 to 230	OATS/SAC	10	Quasi Peak / 120 kHz	30
230 to 1 000				37
30 to 230	OATS/SAC	3		40
230 to 1 000				47

6.3. Test Procedure

The EUT was placed on a non-conductive table whose total height equaled 80cm. All units of equipment forming the system under test (includes the EUT as well as connected peripherals and associated equipment or devices) shall be arranged such that a nominal 0.1 m separation is achieved between the neighboring units. Where the mains cable supplied by the manufacturer is longer than 1 m, the excess should be folded at the centre into a bundle no longer than 0.4 m, so that its length is shortened to 1 m.

The EUT was set 3 meters (or 10 meters) away from the receiving antenna that was mounted on a

non-conductive mast. The antenna can move up and down between 1 to 4 meters to find out the maximum emission level.

The turntable can rotate 360 degree to determine the position of the maximum emission level.

The initial testing identified the frequency that has the highest disturbance relative to the limit while operating the EUT in typical modes of operation and cable positions in a test setup representative of typical system configuration.

The identification of the frequency of highest emission with respect to the limit was found by investigating emissions at a number of significant frequencies. The probable frequency of maximum emission had been found and that the associated cable and EUT configuration and mode of operation had been identified.

The bandwidth of the Receiver is set at 120 kHz.

Test results were obtained from the following equation:

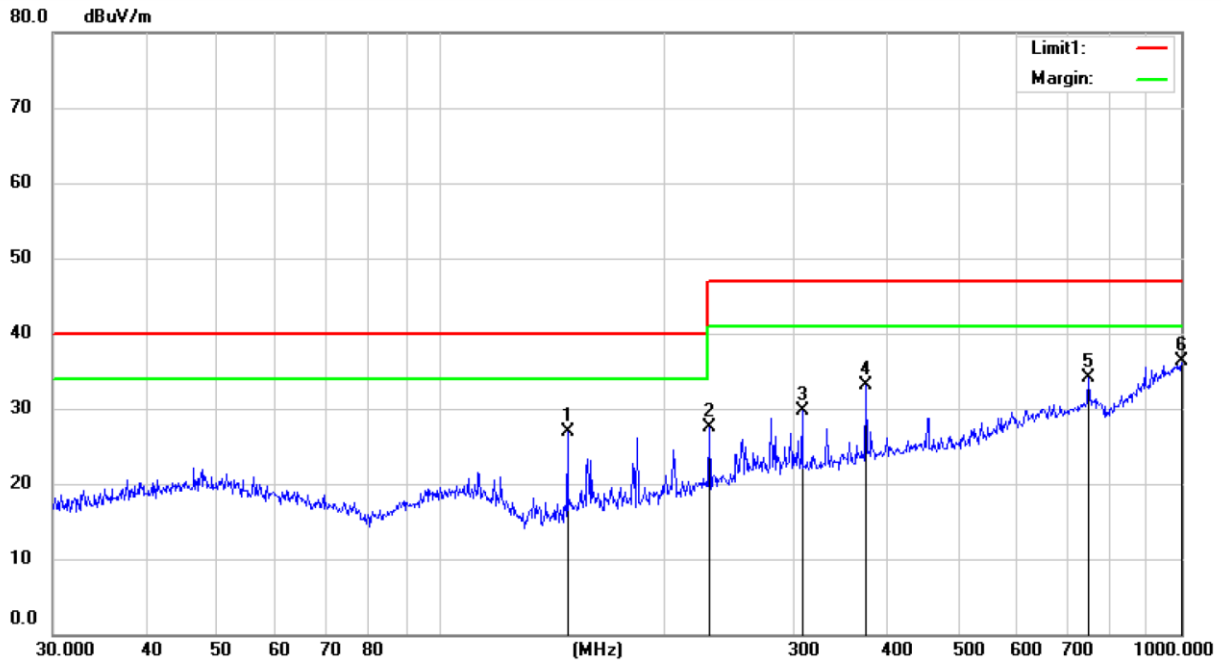
Emission level (dB μ V/m) = Antenna Factor -Amp Factor +Cable Loss + Reading
Margin (dB) = Emission Level (dB μ V/m) - Limit (dB μ V/m)

6.4. Measuring Results

PASS.

Please reference to the following pages.

Temperature	:	23°C
Humidity	:	49%
Atmospheric Pressure	:	101kpa
Test Engineer	:	Sunyong Hu
Test Date	:	2025-02-22



Site 3m Chamber #1

Polarization: **Horizontal**

Temperature: 23 C

Limit: (RE)EN55032 class B

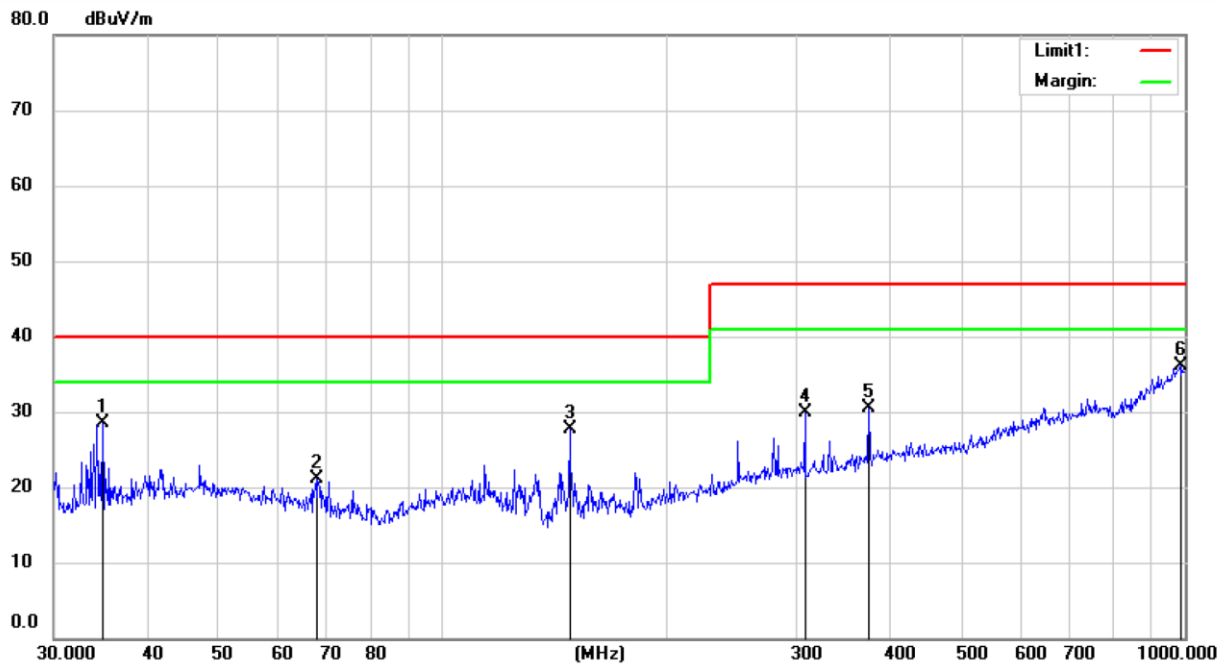
Power: DC 12V from adapter

Humidity: 49 %

Mode: Running full system

Note:

No.	Mk.	Freq.	Reading Level	Correct Factor	Measurement	Limit	Over	Antenna Height	Table Degree	
		MHz	dBuV	dB	dBuV/m	dBuV/m	dB	cm	degree	Comment
1		148.4410	37.77	-10.85	26.92	40.00	-13.08	QP		
2		230.9068	34.04	-6.62	27.42	47.00	-19.58	QP		
3		307.8313	33.91	-4.27	29.64	47.00	-17.36	QP		
4		375.9385	36.42	-3.27	33.15	47.00	-13.85	QP		
5		750.1083	31.87	2.31	34.18	47.00	-12.82	QP		
6	*	1000.000	29.15	7.24	36.39	47.00	-10.61	QP		

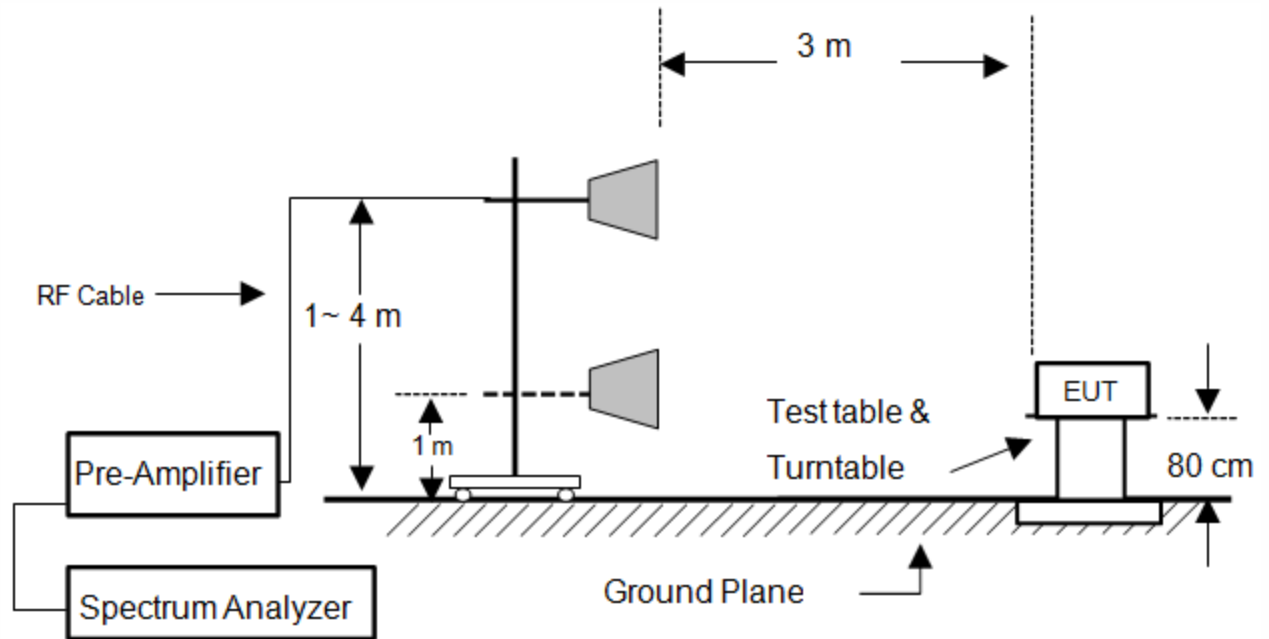


Site 3m Chamber #1 Polarization: **Vertical** Temperature: 23 C
 Limit: (RE)EN55032 class B Power: DC 12V from adapter Humidity: 49 %
 Mode: Running full system
 Note:

No.	Mk.	Freq.	Reading Level	Correct Factor	Measurement	Limit	Over	Antenna Height	Table Degree	Detector	Comment
		MHz	dBuV	dB	dBuV/m	dBuV/m	dB	cm	degree		
1		34.8823	37.22	-8.64	28.58	40.00	-11.42			QP	
2		67.9130	30.87	-9.73	21.14	40.00	-18.86			QP	
3		148.4410	38.46	-10.85	27.61	40.00	-12.39			QP	
4		307.8313	34.10	-4.27	29.83	47.00	-17.17			QP	
5		374.6225	33.82	-3.29	30.53	47.00	-16.47			QP	
6	*	986.0717	29.24	6.84	36.08	47.00	-10.92			QP	

7. RADIATED EMISSION MEASUREMENT (ABOVE 1GHz)

7.1. Block Diagram of Test Setup



7.2. Radiated Limit

EN 55032, Class B

Frequency range (MHz)	Measurement			Class B limits dB(μV/m)
	Facility	Distance (m)	Detector type/ bandwidth	
1000 to 6000	FSOATS	3	Average / 1 MHz	54
1000 to 6000			Peak / 1 MHz	74

Note: The highest internal source of an EUT is defined as the highest frequency generated or used within the EUT or on which the EUT operates or tunes. If the highest frequency of the internal sources of the EUT is less than 108 MHz, the measurement shall only be made up to 1 GHz. If the highest frequency of the internal sources of the EUT is between 108 MHz and 500 MHz the measurement shall only be made up to 2 GHz. If the highest frequency of the internal sources of the EUT is between 500 MHz and 1 GHz, the measurement shall only be made up to 5 GHz. If the highest frequency of the internal sources of the EUT is above 1 GHz, the measurement shall be made up to 5 times the highest frequency or 6 GHz, whichever is less.

7.3. Test Procedure

The EUT was placed on a non-conductive table whose total height equaled 80cm. All units of equipment forming the system under test (includes the EUT as well as connected peripherals and associated equipment or devices) shall be arranged such that a nominal 0.1 m separation is achieved between the neighboring units. Where the mains cable supplied by the manufacturer is longer than 1 m, the excess should be folded at the centre into a bundle no longer than 0.4 m, so that its length is shortened to 1 m.

The EUT was set 3 meters away from the receiving antenna that was mounted on a non-conductive mast. The antenna can move up and down between 1 to 4 meters to find out the maximum emission level.

The turntable can rotate 360 degree to determine the position of the maximum emission level.

The initial testing identified the frequency that has the highest disturbance relative to the limit while operating the EUT in typical modes of operation and cable positions in a test setup representative of typical system configuration.

The identification of the frequency of highest emission with respect to the limit was found by investigating emissions at a number of significant frequencies. The probable frequency of maximum emission had been found and that the associated cable and EUT configuration and mode of operation had been identified.

The frequency range above 1GHz the measuring instrument use RBW=1 MHz and VBW=3 MHz.

Test results were obtained from the following equation:

$$\text{Emission level (dB}\mu\text{V/m)} = \text{Antenna Factor} - \text{Amp Factor} + \text{Cable Loss} + \text{Reading}$$

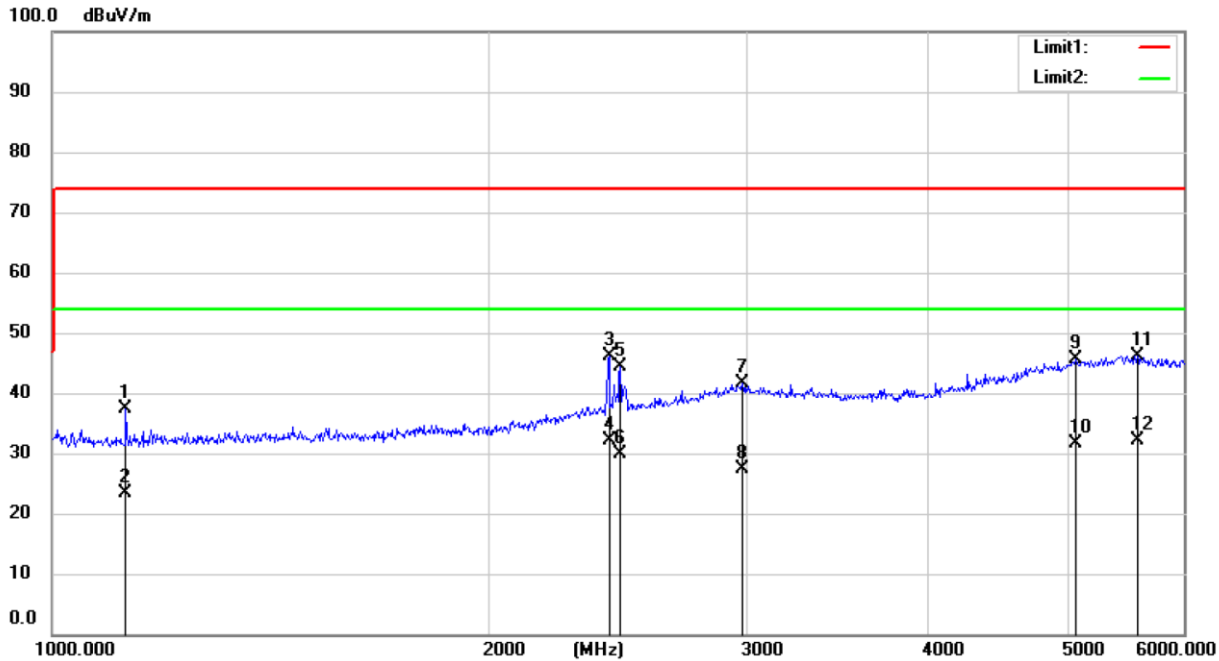
$$\text{Margin (dB)} = \text{Emission Level (dB}\mu\text{V/m)} - \text{Limit (dB}\mu\text{V/m)}$$

7.4. Measuring Results

PASS

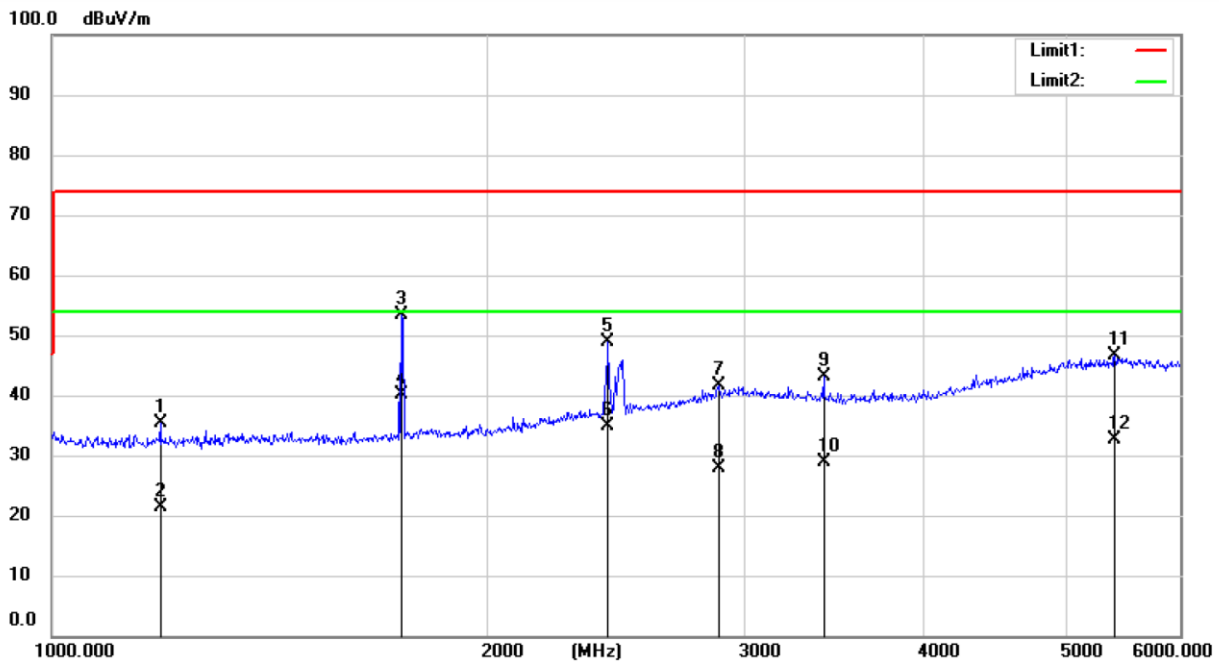
Please reference to the following pages.

Temperature	:	23°C
Humidity	:	49%
Atmospheric Pressure	:	101kpa
Test Engineer	:	Sunyong Hu
Test Date	:	2025-02-22



Site 3m Chamber #1 Polarization: **Horizontal** Temperature: 23 C
 Limit: (RE)EN55032 class B Power: DC 12V from adapter Humidity: 49 %
 Mode: Running full system
 Note:

No.	Mk.	Freq. MHz	Reading Level dBuV	Correct Factor dB	Measure- ment dBuV/m	Limit dBuV/m	Over dB	Antenna Height cm	Table Degree	Comment
1		1123.517	62.63	-25.26	37.37	74.00	-36.63			peak
2		1123.517	48.56	-25.26	23.30	54.00	-30.70			AVG
3		2414.629	66.42	-20.17	46.25	74.00	-27.75			peak
4		2414.629	52.27	-20.17	32.10	54.00	-21.90			AVG
5		2458.283	64.17	-19.87	44.30	74.00	-29.70			peak
6		2458.283	49.87	-19.87	30.00	54.00	-24.00			AVG
7		2983.131	58.15	-16.59	41.56	74.00	-32.44			peak
8		2983.131	44.09	-16.59	27.50	54.00	-26.50			AVG
9		5051.830	56.99	-11.32	45.67	74.00	-28.33			peak
10		5051.830	42.92	-11.32	31.60	54.00	-22.40			AVG
11		5575.028	56.90	-10.68	46.22	74.00	-27.78			peak
12	*	5575.028	42.88	-10.68	32.20	54.00	-21.80			AVG

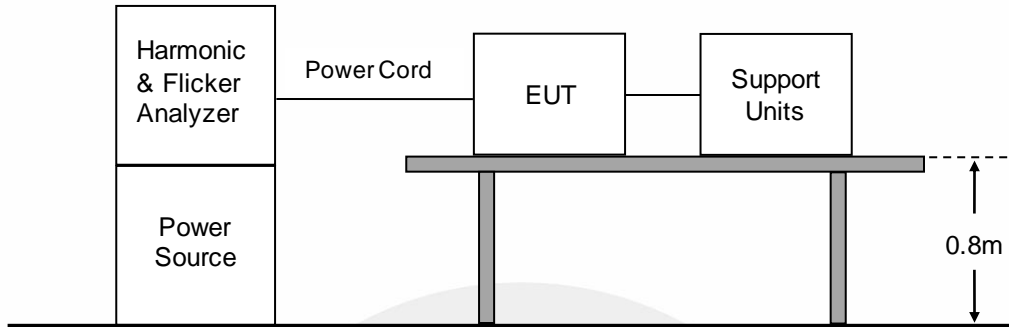


Site 3m Chamber #1 Polarization: **Vertical** Temperature: 23 C
 Limit: (RE)EN55032 class B Power: DC 12V from adapter Humidity: 49 %
 Mode:Running full system
 Note:

No.	Mk.	Freq. MHz	Reading Level dBuV	Correct Factor dB	Measure- ment dBuV/m	Limit dBuV/m	Over dB	Antenna Height cm	Table Degree degree	Comment
1		1187.688	60.70	-25.43	35.27	74.00	-38.73			peak
2		1187.688	46.73	-25.43	21.30	54.00	-32.70			AVG
3		1742.717	77.08	-23.80	53.28	74.00	-20.72			peak
4	*	1742.717	64.00	-23.80	40.20	54.00	-13.80			AVG
5		2418.959	68.98	-20.14	48.84	74.00	-25.16			peak
6		2418.959	54.94	-20.14	34.80	54.00	-19.20			AVG
7		2883.284	58.89	-17.18	41.71	74.00	-32.29			peak
8		2883.284	45.18	-17.18	28.00	54.00	-26.00			AVG
9		3406.085	60.13	-17.04	43.09	74.00	-30.91			peak
10		3406.085	46.04	-17.04	29.00	54.00	-25.00			AVG
11		5407.773	57.40	-10.70	46.70	74.00	-27.30			peak
12		5407.773	43.40	-10.70	32.70	54.00	-21.30			AVG

8. HARMONIC CURRENT EMISSION MEASUREMENT

8.1. Block Diagram of Test Setup



8.2. Standard Limits

EN IEC 61000-3-2, CLASS A

Harmonic current emissions evaluate the potential for the EUT to cause distortion on the AC power lines. It is applicable to electrical and electronic equipment having an input current ≤ 16 A per phase, and intended to be connected to public low-voltage distribution systems

Table 1 – Limits for Class A equipment

Harmonic order n	Maximum permissible harmonic current (A)
Odd harmonics	
3	2.30
5	1.14
7	0.77
9	0.40
11	0.33
13	0.21
$15 \leq n \leq 39$	$0.15 \frac{0.15}{n}$
Even harmonics	
2	1.08
4	0.43
6	0.30
$8 \leq n \leq 40$	$0.23 \frac{8}{n}$

8.3. Test Procedure

The measurement of harmonic currents shall be performed as follows: i. For each harmonic order, measure the 1.5 s smoothed r.m.s. harmonic current in each DFT time window as defined in EN / IEC 61000-4-7:2009. ii. Calculate the arithmetic average of the measured values from the DFT time windows, over the entire observation period Short cyclic (T cycle \leq 2.5 min). Because of synchronisation to meet the requirements for repeatability in 5%.

8.4. Test Results

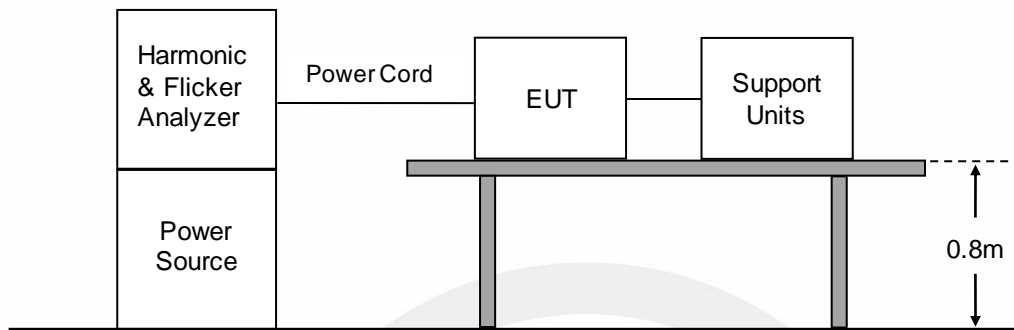
N/A

As specified on section 7 and above figure of EN IEC 61000-3-2, the limits are not specified for equipment with a rated power of 75W or less. The EUT meets the above condition, so it conforms to EN IEC 61000-3-2.



9. VOLTAGE FLUCTUATION AND FLICKER MEASUREMENT

9.1. Block Diagram of Test Setup



9.2. Standard Limits

EN 61000-3-3 Limits

The objective of voltage changes, voltage fluctuations and flicker in public low voltage supply systems during equipment with rated current ≤ 16 A per phase, ensures that home appliances and certain other electrical equipment do not adversely affect lighting equipment when connected to the same power system.

Voltage Fluctuation and Flicker Limits:

- the value of Pst shall not be greater than 1.0;
- the value of Plt shall not be greater than 0.65;
- the value of $d(t)$ during a voltage change shall not exceed 3.3 % for more than 500 ms;
- the relative steady-state voltage change, d_c , shall not exceed 3.3 %;
- the maximum relative voltage change, d_{max} , shall not exceed 4.0 %;

9.3. Test Procedure

The total impedance of the test circuit, excluding the appliance under test, but including the internal impedance of the supply source, shall be equal to the reference impedance. The stability and tolerance of the reference impedance shall be adequate to ensure that the overall accuracy of 8% is achieved during the whole assessment procedure.

9.4. Test Results

PASS.

Please see the attached page.

Flicker Test Summary per EN/IEC61000-3-3 (Run time)

EUT: CM3576 system-on-module **Tested by:** Longbiao Xu
Test category: All parameters(European limits) **Test Margin:** 100
Test date: 2025/2/18 **Start time:** 20:47:19 **End time:** 20:57:46
Test duration (min): 10 **Data file name:** CTSMXL_F-001507.cts_data
Comment: RUNNING FULL SYSTEM
Customer: BOARDCON EMBEDDED DESIGN LIMITED

Test Result: Pass **Status:** Test Completed

Pst_i and limit line

European Limits



Parameter values recorded during the test:

Vrms at the end of test (Volt):	230.40			
T-max (mS):	0.0	Test limit (mS):	500.0	Pass
Highest dc (%):	0.00	Test limit (%):	3.30	Pass
Highest dmax (%):	-0.07	Test limit (%):	4.00	Pass
Highest Pst (10 min. period):	0.282	Test limit:	1.000	Pass

10. IMMUNITY GENERAL PERFORMANCE CRITERIA DESCRIPTION

General performance criteria are defined in EN 55035 clause 8.2, 8.3 and 8.4. These criteria shall be used during the testing of primary functions where no relevant annex is applicable.

When assessing the impact of a disturbance on a function, the assessment should take into consideration the function's performance prior to the application of the disturbance and only identify as failures those changes in performance that are a result of the disturbance.

EN 55035:

Performance criterion A

The equipment shall continue to operate as intended without operator intervention. No degradation of performance, loss of function or change of operating state is allowed below a performance level specified by the manufacturer when the equipment is used as intended. The performance level may be replaced by a permissible loss of performance. If the minimum performance level or the permissible performance loss is not specified by the manufacturer, then either of these may be derived from the product description and documentation, and by what the user may reasonably expect from the equipment if used as intended.

Performance criterion B

During the application of the disturbance, degradation of performance is allowed. However, no unintended change of actual operating state or stored data is allowed to persist after the test.

After the test, the equipment shall continue to operate as intended without operator intervention; no degradation of performance or loss of function is allowed, below a performance level specified by the manufacturer, when the equipment is used as intended. The performance level may be replaced by a permissible loss of performance.

If the minimum performance level (or the permissible performance loss), or recovery time, is not specified by the manufacturer, then either of these may be derived from the product description and documentation, and by what the user may reasonably expect from the equipment if used as intended.

Performance criterion C

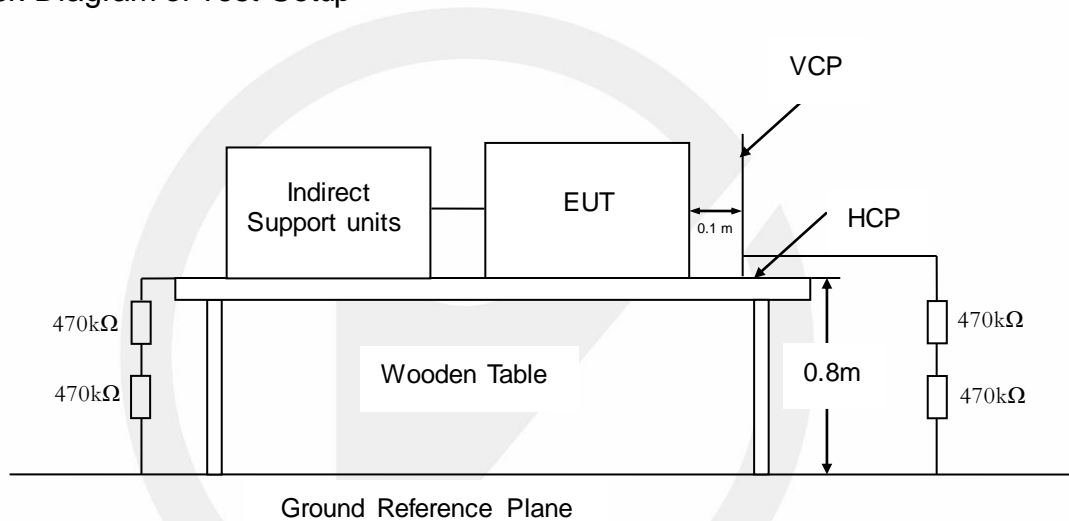
Loss of function is allowed, provided the function is self-recoverable, or can be restored by the operation of the controls by the user in accordance with the manufacturer's instructions. A reboot or re-start operation is allowed. Information stored in non-volatile memory, or protected by a battery backup, shall not be lost.

11. ELECTROSTATIC DISCHARGE

11.1. Test Specification

Test standard	: EN 55035
Basic standard	: IEC 61000-4-2
Performance criterion	: B
Test level	: $\pm 8.0\text{kV}$ (Air discharge)
	: $\pm 4.0\text{kV}$ (Contact discharge)

11.2. Block Diagram of Test Setup



11.3. Test Procedure

- a. In the case of air discharge testing, the climatic conditions shall be within the following ranges:
 - ambient temperature: 15°C to 35°C;
 - relative humidity : 30% to 60%;
 - atmospheric pressure : 86 kPa (860 mbar) to 106 kPa (1060 mbar)
- b. Test programs and software shall be chosen so as to exercise all normal modes of operation of the EUT. The use of special exercising software is encouraged, but permitted only where it can be shown that the EUT is being comprehensively exercised.
- c. In the case of contact discharges, the tip of the discharge electrode shall touch the EUT before the discharge switch is operated.
- d. In the case of painted surface covering a conducting substrate, the following procedure shall be adopted :
 - If the coating is not declared to be an insulating coating by the equipment manufacturer, then the pointed tip of the generator shall penetrate the coating so as to make contact with the conducting substrate.
 - Coating declared as insulating by the manufacturer shall only be submitted to the air discharge.
 - The contact discharge test shall not be applied to such surfaces.
- e. In the case of air discharges, the round discharge tip of the discharge electrode shall be approached as fast as possible (without causing mechanical damage) to touch the EUT. After each discharge, the ESD generator (discharge electrode) shall be removed from the EUT. The generator is then retriggered for a new single discharge. This procedure shall be repeated until the discharges are completed. In the case of an air discharge test, the discharge switch, which is used for contact discharge, shall be closed.
- f. The test voltage shall be increased from the minimum to the selected test severity level, in order to

determine any threshold of failure. The final test level should not exceed the product specification value in order to avoid damage to the equipment.

g. The test shall be performed with both air discharge and contact discharge. The test shall be performed with single discharges. On each pre-selected point at least 10 single discharges (in the most sensitive polarity) shall be applied. For the time interval between successive single discharges an initial value of 1 s is recommended. Longer intervals may be necessary to determine whether a system failure has occurred.

h. Ensure that the applied charge on the EUT has been dis-charged before next ESD pulse.

11.4. Test Results

PASS

Temperature : 23.0 °C
 Humidity : 49%
 Atmospheric Pressure : 101kpa
 Test Engineer : Longbiao Xu
 Test Date : 2025-02-19

Air Discharge:

Test Voltage	Location	Actual criterion	Required performance criterion	Result (Pass/Fail)
±2; 4; 8 kV	SLOT/LAN/LED/T YPE-C/AUDIO	B	B	Pass

Contact Discharge

Test Voltage	Location	Actual criterion	Required performance criterion	Result (Pass/Fail)
±2; 4 kV	METAL/USB/LAN/ HDMI/TYPE-C	B	B	Pass

Indirect Discharge

Test Voltage	Location	Actual criterion	Required performance criterion	Result (Pass/Fail)
±2; 4 kV	HCP	A	B	Pass
±2; 4 kV	VCP	A	B	Pass

Note: When the prototype METAL/USB/LAN/HDMI/TYPE-C was tested with contact discharge ±4KV, the prototype appeared a flash screen, the test ended, and the prototype automatically returned to normal;

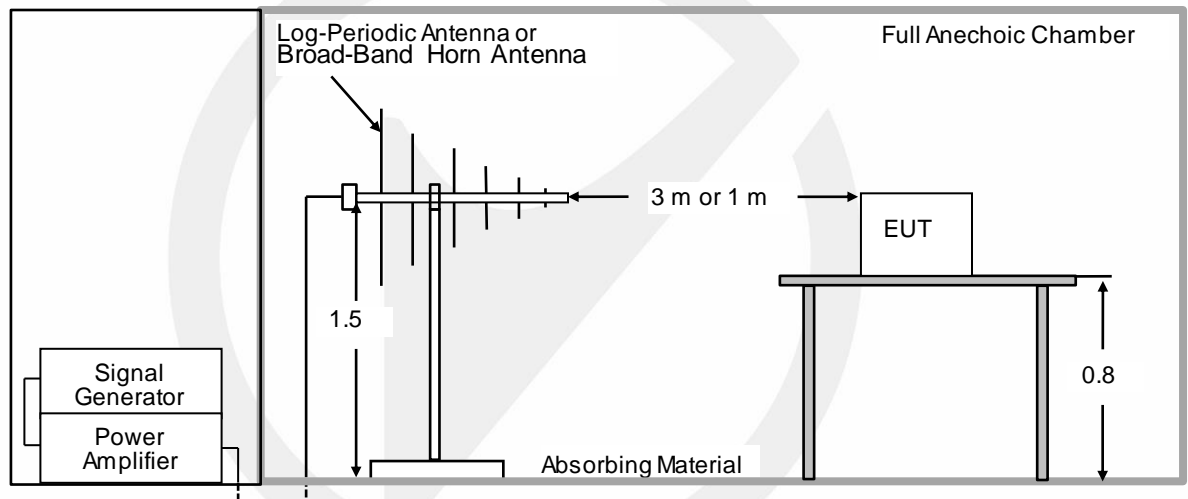
When the prototype SLOT/LAN/LED/AUDIO/TYPE-C was tested with air discharge ±8KV, the prototype appeared a flash screen, and the test ended and the prototype automatically returned to normal.

12. CONTINUOUS RF ELECTROMAGNETIC FIELD DISTURBANCES

12.1. Test Specification

Test standard	: EN 55035	
Basic standard	: IEC 61000-4-3	
Performance criterion	: A	
Frequency range &	: <input checked="" type="checkbox"/> 80M-1000MHz	3V/m
Test level	: <input checked="" type="checkbox"/> Spot frequency	3V/m
	: <input type="checkbox"/> Additional spot frequency	3V/m
Modulation	: AM, 80%, 1kHz sine-wave	

12.2. Block Diagram of Test Setup



12.3. Test procedure

The procedure defined in this part requires the generation of electromagnetic fields within which the test sample is placed and its operation observed. To generate fields that are useful for simulation of actual (field) conditions may require significant antenna drive power and the resultant high field strength levels. To comply with local regulations and to prevent biological hazards to the testing personnel, it is recommended that these tests be carried out in a shielded enclosure or semi-anechoic chamber.

- a. The antenna which is enabling the complete frequency range of 80-1000 MHz is placed 3m (or 1m) away from the equipment. The required field strength is determined by placing the field strength meter(s) on top of or directly alongside the equipment under test and monitoring the field strength meter via a remote field strength indicator outside the enclosure while adjusting the continuous-wave to the antenna.
- b. The test is performed with the antenna facing the front and back sides of the EUT with. Both vertical and horizontal polarizations from antenna are tested.

12.4. Test results

PASS

Temperature : 24.7 °C
 Humidity : 52%
 Atmospheric Pressure : 101kpa
 Test Engineer : Longbiao Xu
 Test Date : 2025-02-19

80M-1000MHz:

Freq. Range (MHz)	Field	Modulation	Polarity	Position (°)	Actual criterion	Required performance criterion	Result
80-1000	3V/m	AM, 80%	H / V	0, 90,180, 270	A	A	Pass

Spot frequency:

Freq (MHz)	Field	Modulation	Polarity	Position (°)	Actual criterion	Required performance criterion	Result
1800, 2600, 3500, 5000	3V/m	AM, 80%	H / V	0, 90,180, 270	A	A	Pass

Additional spot frequency:

Freq (MHz)	Field	Modulation	Polarity	Position (°)	Actual criterion	Required performance criterion	Result
80, 120, 160, 230, 434, 460, 600, 863, 900	3V/m	AM, 80%	H / V	0, 90,180, 270	N/A	A	N/A

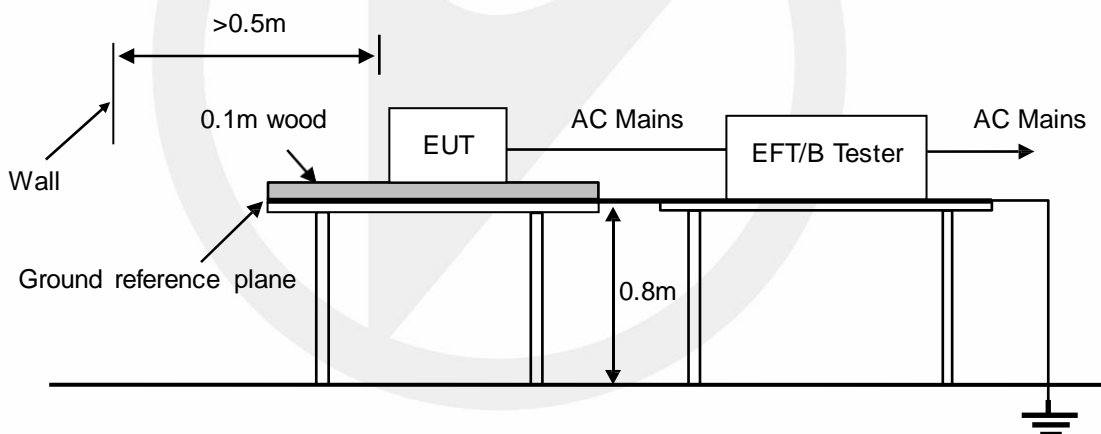
13. ELECTRICAL FAST TRANSIENTS/BURST

13.1. Test Specification

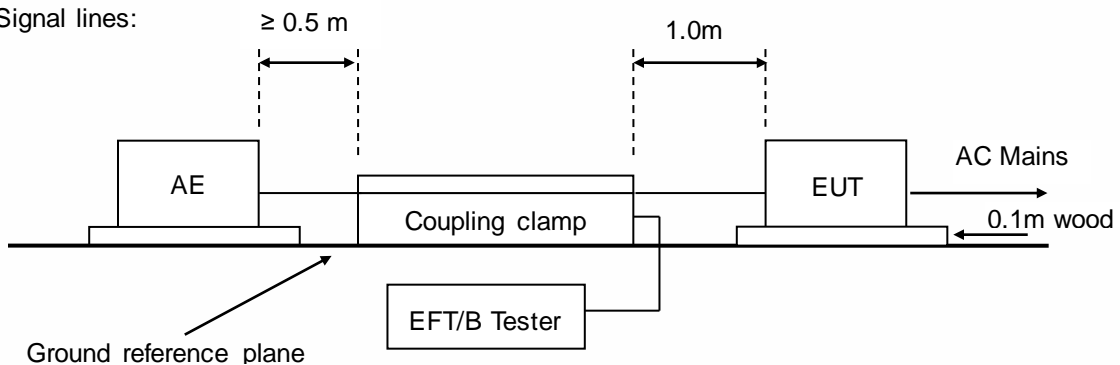
Test standard	: EN 55035
Basic standard	: IEC 61000-4-4
Performance criterion	: B
Test level	: <input checked="" type="checkbox"/> 1kV, AC mains power ports <input type="checkbox"/> 0.5kV, DC network power ports <input checked="" type="checkbox"/> 0.5kV, Analogue/digital data ports
Repetition frequency	: <input checked="" type="checkbox"/> 5kHz, <input type="checkbox"/> 100kHz(Only xDSL ports)
Tr/Th:	: 5/50ns
Burst period	: 300ms
Test time :	: 120s

13.2. Block Diagram of Test Setup

AC Lines:



Signal lines:



13.3. Test Procedure

The EUT is put on the table that is 0.8 meter high above the ground. This reference ground plane shall project beyond the EUT by at least 0.1m on all sides and the minimum distance between EUT and all other conductive structure, except the ground plane beneath the EUT, shall be more than 0.5m.

13.4. Test Results

PASS

Temperature : 23.5 °C
 Humidity : 54%
 Atmospheric Pressure : 101kpa
 Test Engineer : Longbiao Xu
 Test Date : 2025-02-19

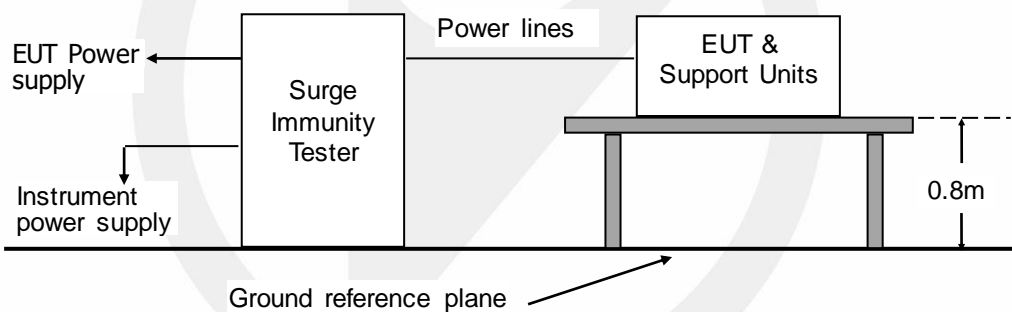
Injection Line	Voltage (kV)	Injected Method	Actual criterion	Required performance criterion	Result (Pass/Fail)
<input checked="" type="checkbox"/> AC mains power ports	± 1	<input checked="" type="checkbox"/> CDN <input type="checkbox"/> Direct injection <input type="checkbox"/> Capacitive coupling clamp	A	B	Pass
<input type="checkbox"/> DC network power ports	± 0.5	<input type="checkbox"/> CDN <input type="checkbox"/> Direct injection <input type="checkbox"/> Capacitive coupling clamp	N/A	N/A	N/A
<input checked="" type="checkbox"/> Analogue/digital data ports (Wired network port)	± 0.5	<input type="checkbox"/> CDN <input type="checkbox"/> Direct injection <input checked="" type="checkbox"/> Capacitive coupling clamp	A	B	Pass
<input type="checkbox"/> Analogue/digital data ports (Broadcast receiver tuner port)	± 0.5	<input type="checkbox"/> CDN <input type="checkbox"/> Direct injection <input checked="" type="checkbox"/> Capacitive coupling clamp	N/A	N/A	N/A

14. SURGES

14.1. Test Specification

Test standard	: EN 55035
Basic standard	: IEC 61000-4-5
Test level	: <input checked="" type="checkbox"/> 1kV, Line to Line, AC mains power ports, Criterion B <input type="checkbox"/> 2kV, Line to Earth, AC mains power ports, Criterion B <input type="checkbox"/> 0.5kV, Line to Reference ground, DC network power ports, Criterion B <input checked="" type="checkbox"/> 1.0kV, Lines to Ground, Unshielded symmetrical, Criterion C <input type="checkbox"/> 4.0kV, Lines to Ground, Unshielded symmetrical, Criterion C <input type="checkbox"/> 0.5kV, Shield to ground, Coaxial or shielded port, Criterion B
Number of surges	: 5 (for each combination of parameters)
Repetition rate	: 1 minute / time
Polarity:	: Positive / Negative
Phase angle:	: 0°, 90°, 180°, 270° (Only AC mains power ports)

14.2. Block Diagram of Test Setup



14.3. Test Procedure

This test simulates a lightning event by inducing transients onto the AC/DC power supply lines in common mode (Line to Ground) and differential mode (Line to Line). Each device was tested in a total of two surge configurations: Line to Ground (L-G): Combination Wave, Line to Protective Earth with 9uF and 10Ohm and Neutral to Protective Earth with 9uF and 10Ohm, common mode, generator earthed.

Line to Line (L-L): Combination Wave,

Line to Neutral with 18uF, differential mode, generator floated.

2 ohm : the source impedance of the low-voltage power supply network.

12 ohm : the source impedance of the low-voltage power supply network and ground.

- If not otherwise specified the surges have to be applied synchronized to the voltage phase at the zero-crossing and the peak value of the a.c. voltage wave (positive and negative).
- The surges have to be applied line to line and line to earth. When testing line to earth, the test voltage has to be applied successively between each of the lines and earth, if there is no other specification.
- The test procedure shall also consider the non-linear current-voltage characteristics of the equipment under test. Therefore the test voltage has to be increased by steps up to the test level specified in the product standard or test plan. All lower levels including the selected test level shall be satisfied.
- For testing the secondary protection, the output voltage of the generator shall be increased up to the worst-case voltage breakdown level (let-through level) of the primary protection.
- Testing shall be performed according to a Test Plan, which shall be included in the test report.

f. To find all critical points of the duty cycle of the equipment, a sufficient number of positive and negative test pulses shall be applied.

14.4. Test results

PASS

Temperature : 23.5 °C
 Humidity : 54%
 Atmospheric Pressure : 101kpa
 Test Engineer : Longbiao Xu
 Test Date : 2025-02-19

AC mains power ports:

Coupling Line	Voltage (kV)	Waveform (μs)	Polarity	Actual criterion	Required performance criterion	Result (Pass/Fail)
<input checked="" type="checkbox"/> Line to line	0.5, 1	1.2/50 (8/20)	Pos./ Neg.	B	B	Pass
<input type="checkbox"/> Line to earth	0.5, 1, 2	1.2/50 (8/20)	Pos./ Neg.	N/A	B	N/A

DC network power ports:

Coupling Line	Voltage (kV)	Waveform (μs)	Polarity	Actual criterion	Required performance criterion	Result (Pass/Fail)
Line to Reference ground	0.5	1.2/50 (8/20)	Pos./ Neg.	N/A	B	N/A

Analogue/digital data ports:

Port type	Coupling Line	Voltage (kV)	Waveform (μs)	Polarity	Actual criterion	Required performance criterion	Result (Pass/Fail)
<input checked="" type="checkbox"/> Unshielded symmetrical (Wired network port)	Lines to ground	0.5, 1	10/700 (5/320)	Pos./ Neg.	A	C	Pass
<input type="checkbox"/> Unshielded symmetrical	Lines to ground	0.5, 1, 2, 4	10/700 (5/320)	Pos./ Neg.	N/A	B	N/A
<input type="checkbox"/> Coaxial or shielded (Broadcast receiver tuner port)	Shield to ground	0.5	1.2/50 (8/20)	Pos./ Neg.	N/A	B	N/A

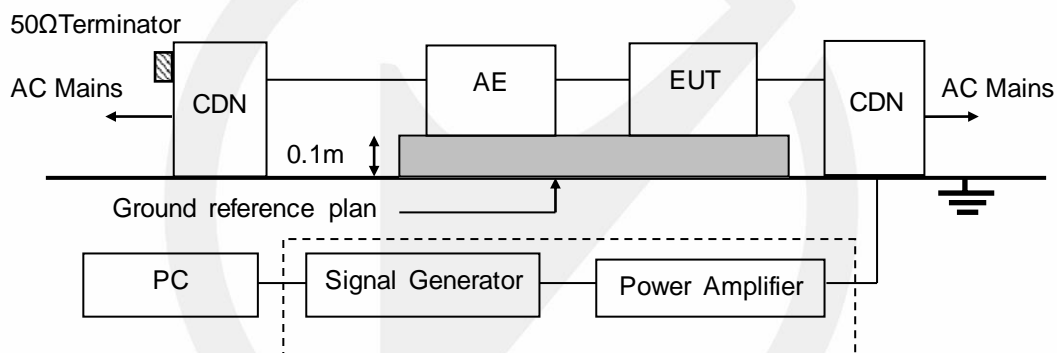
Note: When the prototype Line to line was tested ±1KV, a flash screen appeared on the prototype. After the test, the prototype automatically returned to normal.

15. CONTINUOUS INDUCED RF DISTURBANCES

15.1. Test Specification

Test standard	: EN 55035
Basic standard	: IEC 61000-4-6
Performance criterion	: A
Frequency range &	: 0.15M to 10MHz, 3V
Test level	: 10M to 30MHz, 3V to 1V
	: 30M to 80MHz, 1V
Modulation	: AM 80%, 1kHz sine-wave
Frequency Step	: 1% of fundamental

15.2. Block Diagram of Test Setup



15.3. Test Procedure

- The EUT shall be operated within its intended climatic conditions. The temperature and relative humidity should be recorded.
- The EUT is placed on a 0.1m high test table, and a well grounded cable is connected to metallic plane above the test table.
- All cables/wires must be laid out on test plate (3cm in thickness), and the EUT is set up on test plate (10 cm in thickness) as shown in test setup photo, and the cables/wires must not be in mid-air, they should be touching the surface of test plate. Ensure that the EUT is properly connected to the accessory equipment.
- The test shall be performed with the test generator connected to each of the coupling and decoupling devices in turn while the other non-excited RF-input ports of the coupling devices are terminated by a 50 ohm load resistor.
- The frequency range is swept from 150 kHz to 80 MHz, using the signal levels established during the setting process, and with the disturbance signal 80% amplitude modulated with a 1 kHz sine wave, pausing to adjust the RF-signal level or to switch coupling devices as necessary. The rate of sweep shall no exceed 1.5×10^{-3} decades/s. Where the frequency is swept incrementally, the step size shall no exceed 1% of the start and thereafter 1% of the preceding frequency value.
- The dwell time at each frequency shall not be less than the time necessary for the EUT to be exercised, and able to respond. Sensitive frequencies e.g. clock frequency (ies) and harmonics or frequencies of dominant interest shall be analyzed separately.
- Attempts should be made to fully exercise the EUT during testing, and to fully interrogate all exercise modes selected for susceptibility

h. Testing shall be performed according to a Test Plan, which shall be included in the test report.

15.4. Test results

PASS

Temperature : 23.5 °C
 Humidity : 54%
 Atmospheric Pressure : 101kpa
 Test Engineer : Longbiao Xu
 Test Date : 2025-02-19

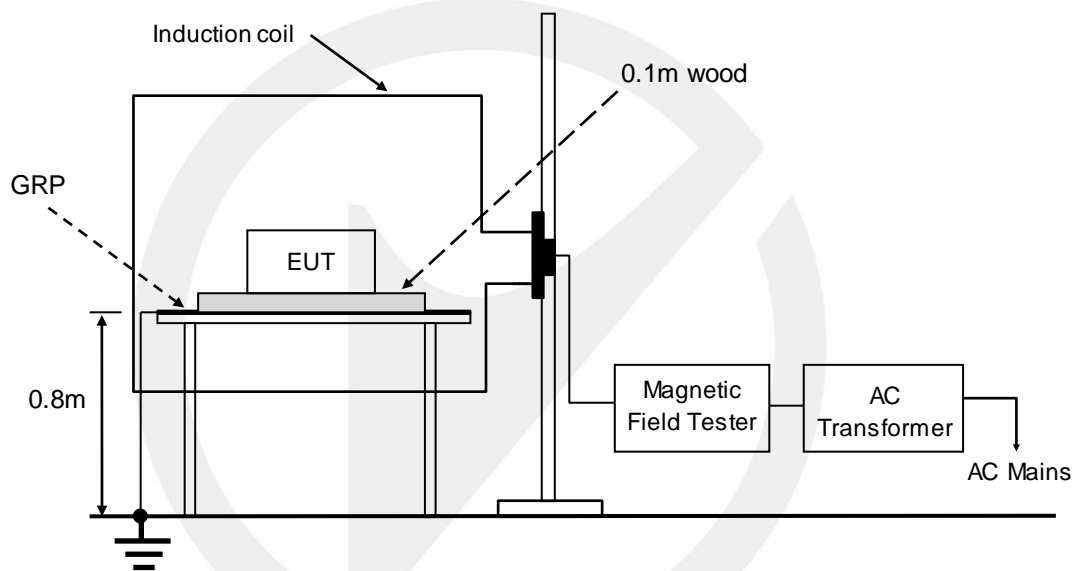
Range (MHz)	Levers (V)	Injection port	Coupling type	Actual criterion	Required performance criterion	Result (Pass/Fail)
0.15-10	3	<input checked="" type="checkbox"/> AC mains power ports	<input checked="" type="checkbox"/> CDN <input type="checkbox"/> EM Clamp <input type="checkbox"/> Current Clamp <input type="checkbox"/> Direct injection	A	A	Pass
10-30	3-1					
30-80	1					
0.15-10	3	<input type="checkbox"/> DC network power ports	<input checked="" type="checkbox"/> CDN <input type="checkbox"/> EM Clamp <input type="checkbox"/> Current Clamp <input type="checkbox"/> Direct injection	N/A	N/A	N/A
10-30	3-1					
30-80	1					
0.15-10	3	<input checked="" type="checkbox"/> Analogue/digital data ports (Wired network port)	<input type="checkbox"/> CDN <input checked="" type="checkbox"/> EM Clamp <input type="checkbox"/> Current Clamp <input type="checkbox"/> Direct injection	A	A	Pass
10-30	3-1					
30-80	1					
0.15-10	3	<input type="checkbox"/> Analogue/digital data ports (Broadcast receiver tuner port)	<input type="checkbox"/> CDN <input type="checkbox"/> EM Clamp <input checked="" type="checkbox"/> Current Clamp <input type="checkbox"/> Direct injection	N/A	N/A	N/A
10-30	3-1					
30-80	1					
0.15-10	3	<input type="checkbox"/> Analogue/digital data ports (.....)	<input type="checkbox"/> CDN <input type="checkbox"/> EM Clamp <input checked="" type="checkbox"/> Current Clamp <input type="checkbox"/> Direct injection	N/A	N/A	N/A
10-30	3-1					
30-80	1					

16. POWER FREQUENCY MAGNETIC FIELD

16.1. Test Specification

Test Standard	: EN 55035
Basic Standard	: IEC 61000-4-8
Performance criterion	: A
Test level	: 1A/m

16.2. Block Diagram of Test Setup



GRP: Ground reference plane
EUT: Equipment under test

16.3. Test Procedure

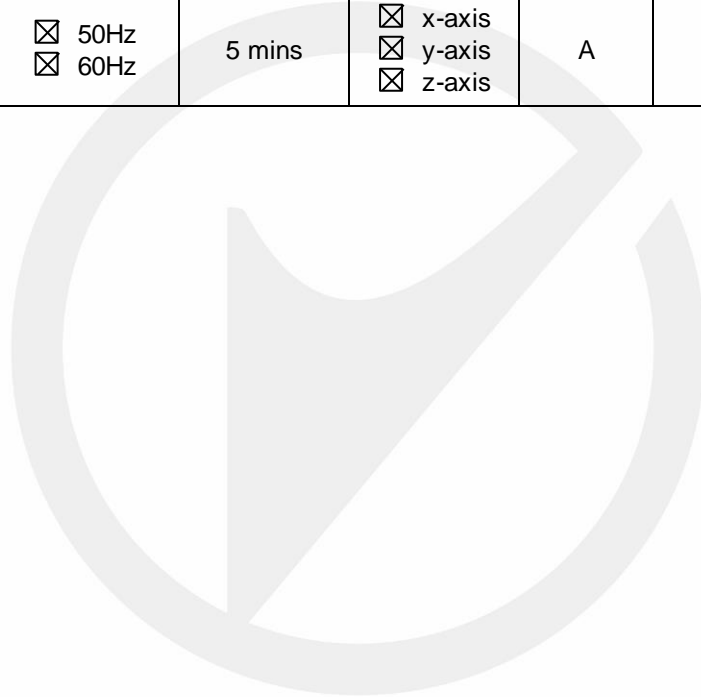
The EUT is placed in the middle of an induction coil (1*1m), under which is a 1*1*0.1m (high) table, this small table is also placed on a larger table, 0.8 m above the ground. Both horizontal and vertical polarization of the induction coil is set on test, so that each side of the EUT is affected by the magnetic field. Also can reach the same aim by change the position of the EUT.

16.4. Test Results

PASS

Temperature : 23.5 °C
 Humidity : 54%
 Atmospheric Pressure : 101kpa
 Test Engineer : Longbiao Xu
 Test Date : 2025-02-19

Test Level (A/m)	Frequency	Testing Duration	Coil Orientation	Actual criterion	Required performance criterion	Result (Pass/Fail)
1	<input checked="" type="checkbox"/> 50Hz <input checked="" type="checkbox"/> 60Hz	5 mins	<input checked="" type="checkbox"/> x-axis <input checked="" type="checkbox"/> y-axis <input checked="" type="checkbox"/> z-axis	A	A	Pass

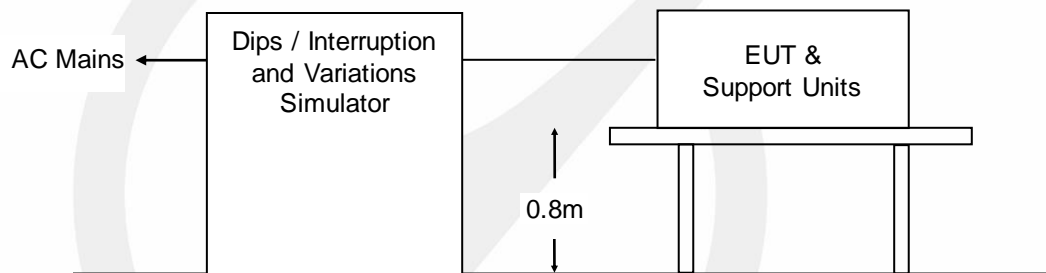


17.VOLTAGE DIPS AND INTERRUPTIONS

17.1.Test Specification

Test standard	: EN 55035
Basic standard	: IEC 61000-4-11
Test level	: 0%, 0.5 period, Criterion B
	<input checked="" type="checkbox"/> 70%, 25 periods for 50Hz, Criterion C
	<input type="checkbox"/> 70%, 30 periods for 60Hz, Criterion C
	<input checked="" type="checkbox"/> 0%, 250 periods for 50Hz, Criterion C
	<input type="checkbox"/> 0%, 300 periods for 60Hz, Criterion C

17.2.Block Diagram of Test Setup



17.3.Test Procedure

- a. Where the equipment has a rated voltage the following shall apply - If the voltage range does not exceed 20% of the lower voltage specified for the rated voltage range, a single voltage within that range may be specified as a basis for test level specification.
 - In all other cases, the test procedure shall be applied for both the lowest and highest voltages declared in the voltage range.
- b. Test Conditions
 - Select operated voltage and frequency of EUT - Test of interval : 10 sec.
 - Level and duration : Sequence of 3 dips/interrupts.
 - Voltage rise (and fall) time : 1.5 μ s.

17.4. Test results

PASS

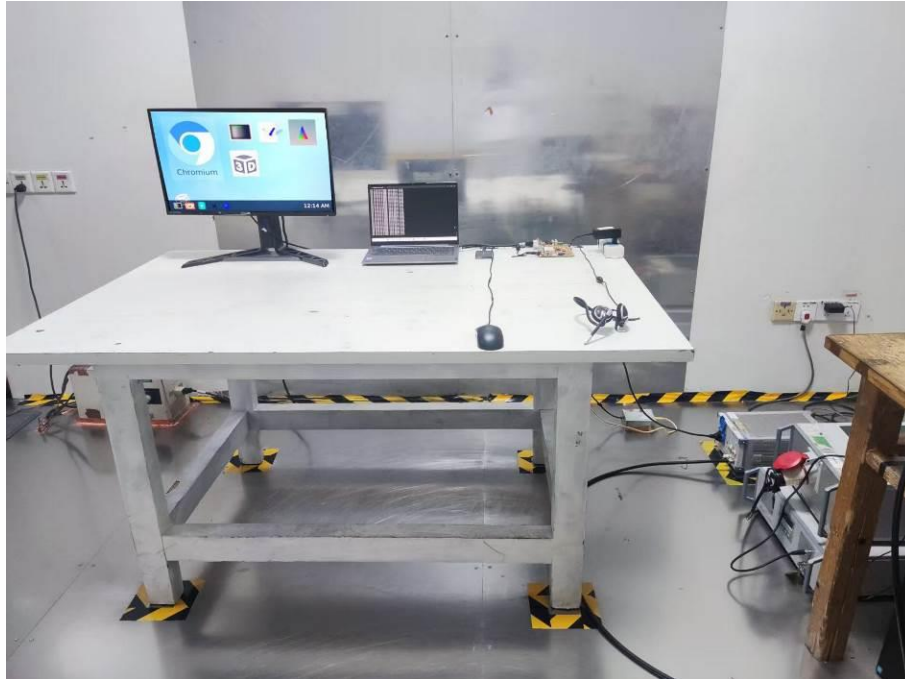
Temperature : 23.5 °C
 Humidity : 54%
 Atmospheric Pressure : 101kpa
 Test Engineer : Longbiao Xu
 Test Date : 2025-02-19

	Test Level (% UT)	Phase angle (°)	Input Voltage (V)	Freq (Hz)	Duration (periods)	Actual criterion	Required performance criterion	Result (Pass /Fail)
<input checked="" type="checkbox"/> Voltage dips	0%	0°, 180°	AC 230V	50	0.5	A	B	Pass
<input checked="" type="checkbox"/> Voltage dips	70%	0°, 180°	AC 230V	50	25	A	C	Pass
<input checked="" type="checkbox"/> Voltage interruptions	0%	0°, 180°	AC 230V	50	250	B	C	Pass

Note: When the sample drops to 0%, 250P, the power is off, the test is over, and the sample automatically returns to normal.

18.PHOTOGRAPHS

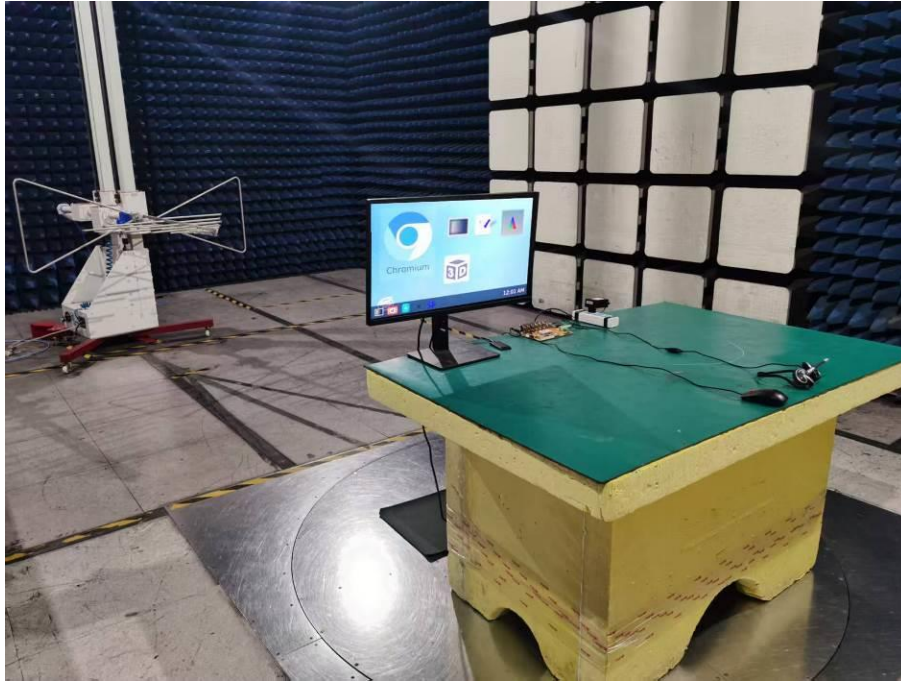
18.1.Photos of Conducted Emissions from the AC Mains Power Ports



18.2.Photos of Asymmetric Mode Conducted Emissions at Wired Network Ports



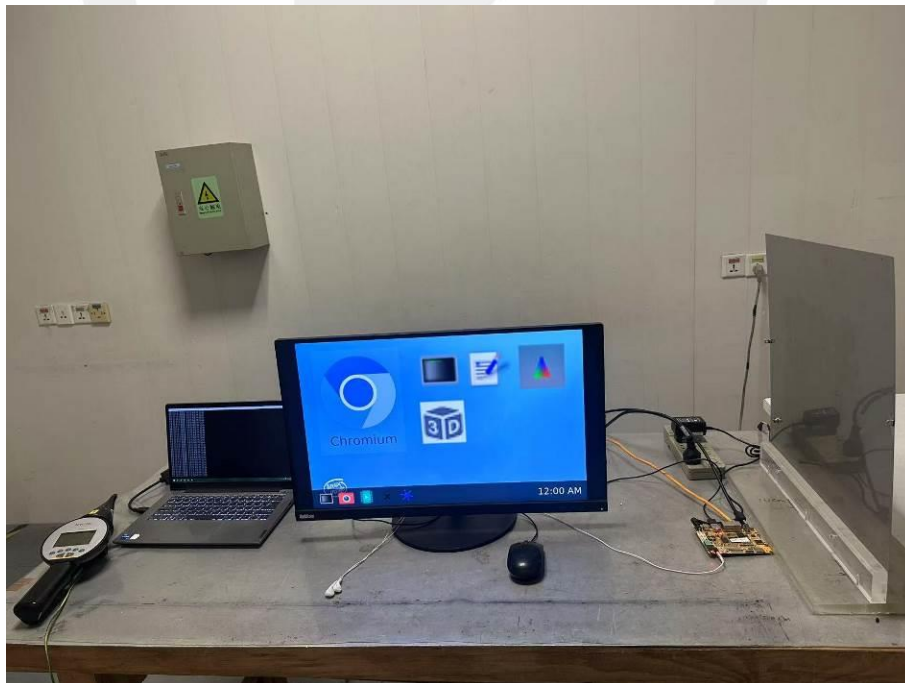
18.3.Photos of Radiation Emission Measurement



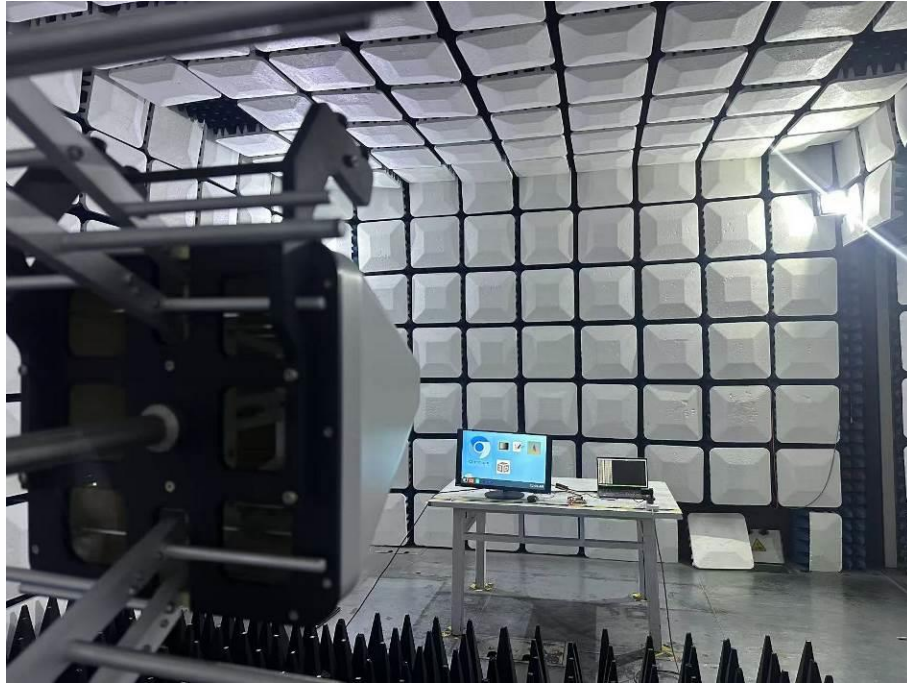
18.4.Photo of Harmonic / Flicker Measurement



18.5.Photo of Electrostatic Discharges



18.6. Photo of Continuous RF Electromagnetic Field Disturbances



18.7.Photos of Electrical Fast Transients/Burst

AC Mains:



Analogue/digital data ports:



18.8.Photos of Surges

AC Mains:



Analogue/digital data ports:



18.9.Photos of Continuous Induced RF Disturbances

AC Mains:



Analogue/digital data ports:




18.10.Photo of Power Frequency Magnetic Field

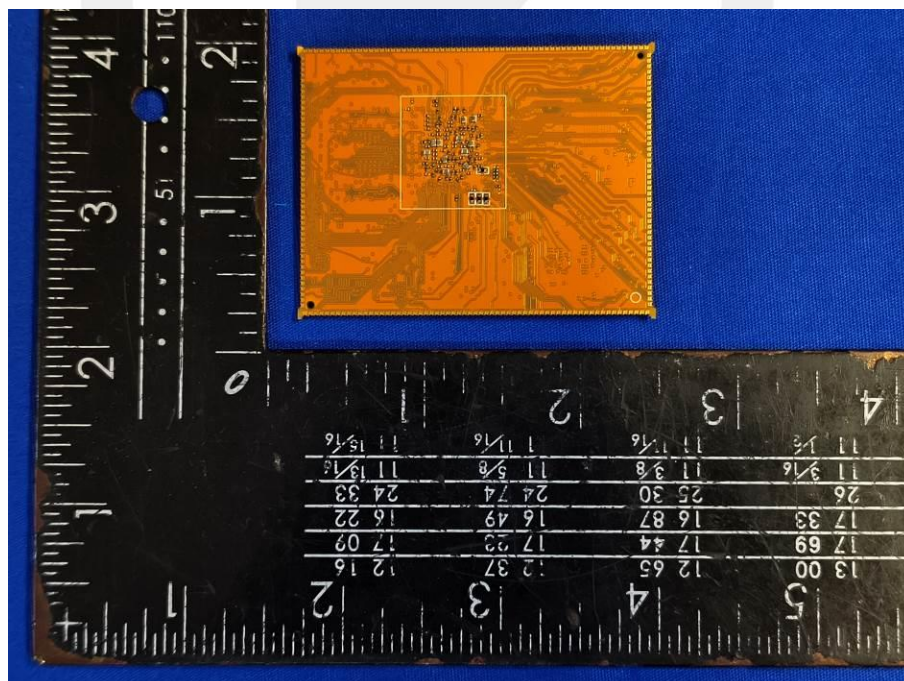
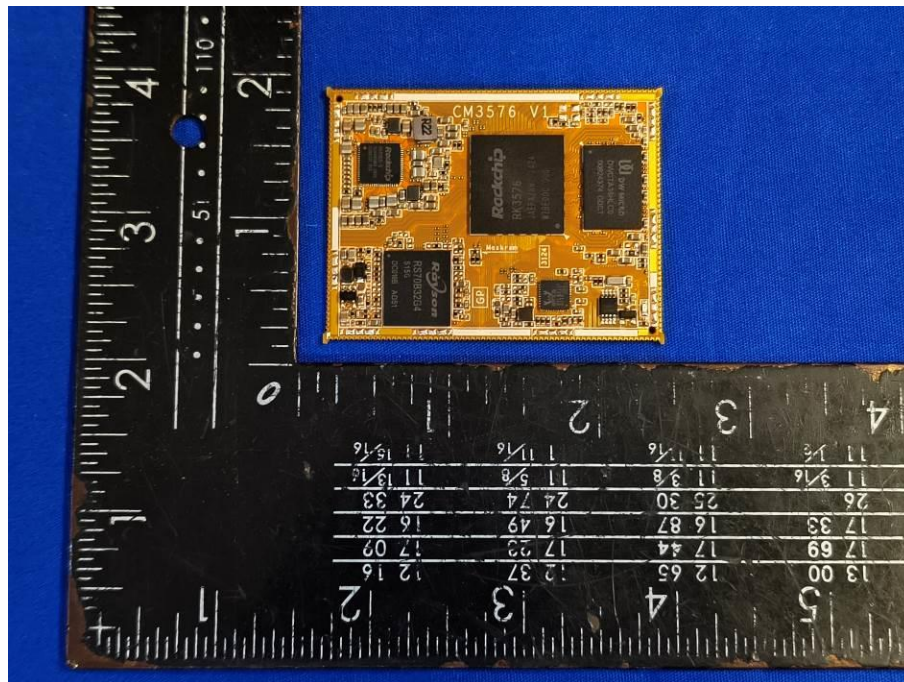


18.11.Photo of Voltage Dips And Interruptions





**APPENDIX
(PHOTOS OF EUT)**



End of Report

Statement

- 1 . This report is invalid without the signature of the authorized approver and "special seal for testing".
- 2 . This report shall not be copied partly without authorization.
- 3 . The test results or observations are applicable only to tested sample. Client shall be responsible for representativeness of the sample and authenticity of the material.
- 4 . The observations or tests with special mark fall outside the scope of accreditation, and are only used for purpose of commission, research, training, internal quality control etc.
- 5 . The test results or observations are provided in accordance with measured value, without taking risks caused by uncertainty into account. Without explicit stipulation in special agreements, standards or regulations, EMTEK shall not assume any responsibility.
- 6 . Objections shall be raised within 20 days from the date receiving the report.